

INSTRUCTION MANUAL
MANUEL D'INSTRUCTION
MANUAL DE INSTRUCCIONES

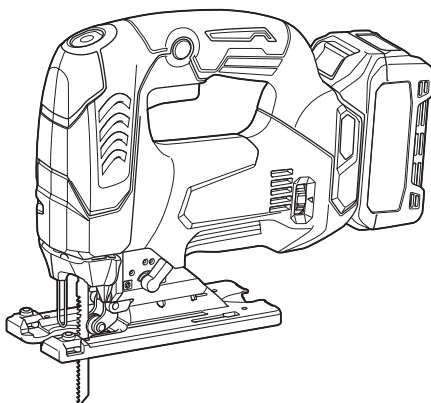


Cordless Jig Saw

Scie sauteuse sans fil

Sierra Caladora Inalámbrica

JV002G



IMPORTANT: Read Before Using.

IMPORTANT : Lire avant usage.

IMPORTANTE: Lea antes de usar.

SPECIFICATIONS

Model:		JV002G
Length of stroke		26 mm (1")
Strokes per minute		0 - 3,500 /min
Blade type		B type
Max. cutting capacities	Wood	135 mm (5-5/16")
	Mild steel	10 mm (3/8")
	Aluminum	20 mm (13/16")
Overall length (with BL4025)		272 mm (10-3/4")
Rated voltage		D.C. 36 V - 40 V max
Net weight		2.7 - 3.0 kg (6.0 - 6.6 lbs)

- Due to our continuing program of research and development, the specifications herein are subject to change without notice.
- Specifications may differ from country to country.
- The weight may differ depending on the attachment(s), including the battery cartridge. The lightest and heaviest combinations, according to EPTA-Procedure 01/2014, are shown in the table.

Applicable battery cartridge and charger

Battery cartridge	BL4020 / BL4025 / BL4040 / BL4040F
Charger	DC40RA / DC40RB / DC40RC

- Some of the battery cartridges and chargers listed above may not be available depending on your region of residence.

⚠WARNING: Only use the battery cartridges and chargers listed above. Use of any other battery cartridges and chargers may cause injury and/or fire.

SAFETY WARNINGS

General power tool safety warnings

⚠WARNING Read all safety warnings, instructions, illustrations and specifications provided with this power tool. Failure to follow all instructions listed below may result in electric shock, fire and/or serious injury.

Save all warnings and instructions for future reference.

The term "power tool" in the warnings refers to your mains-operated (corded) power tool or battery-operated (cordless) power tool.

Work area safety

1. **Keep work area clean and well lit.** Cluttered or dark areas invite accidents.
2. **Do not operate power tools in explosive atmospheres, such as in the presence of flammable liquids, gases or dust.** Power tools create sparks which may ignite the dust or fumes.
3. **Keep children and bystanders away while operating a power tool.** Distractions can cause you to lose control.

Electrical safety

1. **Power tool plugs must match the outlet. Never modify the plug in any way. Do not use any adapter plugs with earthed (grounded) power tools.** Unmodified plugs and matching outlets will reduce risk of electric shock.
2. **Avoid body contact with earthed or grounded surfaces, such as pipes, radiators, ranges and refrigerators.** There is an increased risk of electric shock if your body is earthed or grounded.
3. **Do not expose power tools to rain or wet conditions.** Water entering a power tool will increase the risk of electric shock.
4. **Do not abuse the cord. Never use the cord for carrying, pulling or unplugging the power tool. Keep cord away from heat, oil, sharp edges or moving parts.** Damaged or entangled cords increase the risk of electric shock.
5. **When operating a power tool outdoors, use an extension cord suitable for outdoor use.** Use of a cord suitable for outdoor use reduces the risk of electric shock.
6. **If operating a power tool in a damp location is unavoidable, use a ground fault circuit interrupter (GFCI) protected supply.** Use of a GFCI reduces the risk of electric shock.

7. **Power tools can produce electromagnetic fields (EMF) that are not harmful to the user.** However, users of pacemakers and other similar medical devices should contact the maker of their device and/or doctor for advice before operating this power tool.

Personal safety

1. **Stay alert, watch what you are doing and use common sense when operating a power tool. Do not use a power tool while you are tired or under the influence of drugs, alcohol or medication.** A moment of inattention while operating power tools may result in serious personal injury.
2. **Use personal protective equipment. Always wear eye protection.** Protective equipment such as a dust mask, non-skid safety shoes, hard hat or hearing protection used for appropriate conditions will reduce personal injuries.
3. **Prevent unintentional starting. Ensure the switch is in the off-position before connecting to power source and/or battery pack, picking up or carrying the tool.** Carrying power tools with your finger on the switch or energising power tools that have the switch on invites accidents.
4. **Remove any adjusting key or wrench before turning the power tool on.** A wrench or a key left attached to a rotating part of the power tool may result in personal injury.
5. **Do not overreach. Keep proper footing and balance at all times.** This enables better control of the power tool in unexpected situations.
6. **Dress properly. Do not wear loose clothing or jewellery. Keep your hair and clothing away from moving parts.** Loose clothes, jewellery or long hair can be caught in moving parts.
7. **If devices are provided for the connection of dust extraction and collection facilities, ensure these are connected and properly used.** Use of dust collection can reduce dust-related hazards.
8. **Do not let familiarity gained from frequent use of tools allow you to become complacent and ignore tool safety principles.** A careless action can cause severe injury within a fraction of a second.
9. **Always wear protective goggles to protect your eyes from injury when using power tools. The goggles must comply with ANSI Z87.1 in the USA. It is an employer's responsibility to enforce the use of appropriate safety protective equipment by the tool operators and by other persons in the immediate working area.**

Power tool use and care

1. **Do not force the power tool. Use the correct power tool for your application.** The correct power tool will do the job better and safer at the rate for which it was designed.
2. **Do not use the power tool if the switch does not turn it on and off.** Any power tool that cannot be controlled with the switch is dangerous and must be repaired.
3. **Disconnect the plug from the power source and/or remove the battery pack, if detachable, from the power tool before making any adjustments, changing accessories, or storing power tools.** Such preventive safety measures reduce the risk of starting the power tool accidentally.

4. **Store idle power tools out of the reach of children and do not allow persons unfamiliar with the power tool or these instructions to operate the power tool.** Power tools are dangerous in the hands of untrained users.
5. **Maintain power tools and accessories. Check for misalignment or binding of moving parts, breakage of parts and any other condition that may affect the power tool's operation. If damaged, have the power tool repaired before use.** Many accidents are caused by poorly maintained power tools.
6. **Keep cutting tools sharp and clean.** Properly maintained cutting tools with sharp cutting edges are less likely to bind and are easier to control.
7. **Use the power tool, accessories and tool bits etc. in accordance with these instructions, taking into account the working conditions and the work to be performed.** Use of the power tool for operations different from those intended could result in a hazardous situation.
8. **Keep handles and grasping surfaces dry, clean and free from oil and grease.** Slippery handles and grasping surfaces do not allow for safe handling and control of the tool in unexpected situations.
9. **When using the tool, do not wear cloth work gloves which may be entangled.** The entanglement of cloth work gloves in the moving parts may result in personal injury.

Battery tool use and care

1. **Recharge only with the charger specified by the manufacturer.** A charger that is suitable for one type of battery pack may create a risk of fire when used with another battery pack.
2. **Use power tools only with specifically designated battery packs.** Use of any other battery packs may create a risk of injury and fire.
3. **When battery pack is not in use, keep it away from other metal objects, like paper clips, coins, keys, nails, screws or other small metal objects, that can make a connection from one terminal to another.** Shorting the battery terminals together may cause burns or a fire.
4. **Under abusive conditions, liquid may be ejected from the battery; avoid contact. If contact accidentally occurs, flush with water. If liquid contacts eyes, additionally seek medical help.** Liquid ejected from the battery may cause irritation or burns.
5. **Do not use a battery pack or tool that is damaged or modified.** Damaged or modified batteries may exhibit unpredictable behaviour resulting in fire, explosion or risk of injury.
6. **Do not expose a battery pack or tool to fire or excessive temperature.** Exposure to fire or temperature above 130 °C may cause explosion.
7. **Follow all charging instructions and do not charge the battery pack or tool outside the temperature range specified in the instructions.** Charging improperly or at temperatures outside the specified range may damage the battery and increase the risk of fire.

Service

1. **Have your power tool serviced by a qualified repair person using only identical replacement parts.** This will ensure that the safety of the power tool is maintained.
2. **Never service damaged battery packs.** Service of battery packs should only be performed by the manufacturer or authorized service providers.
3. **Follow instruction for lubricating and changing accessories.**
4. **Do not modify or attempt to repair the appliance or the battery pack except as indicated in the instructions for use and care.**

Cordless jig saw safety warnings



1. **Hold the power tool by insulated gripping surfaces, when performing an operation where the cutting accessory may contact hidden wiring.** Cutting accessory contacting a "live" wire may make exposed metal parts of the power tool "live" and could give the operator an electric shock.
2. **Use clamps or another practical way to secure and support the workpiece to a stable platform.** Holding the workpiece by hand or against your body leaves it unstable and may lead to loss of control.
3. **Always use safety glasses or goggles. Ordinary eye or sun glasses are NOT safety glasses.**
4. **Avoid cutting nails. Inspect workpiece for any nails and remove them before operation.**
5. **Do not cut oversize workpiece.**
6. **Check for the proper clearance around the workpiece before cutting so that the jig saw blade will not strike the floor, workbench, etc.**
7. **Hold the tool firmly.**
8. **Make sure the jig saw blade is not contacting the workpiece before the switch is turned on.**
9. **Keep hands away from moving parts.**
10. **Do not leave the tool running. Operate the tool only when hand-held.**
11. **Always switch off and wait for the jig saw blade to come to a complete stop before removing the jig saw blade from the workpiece.**
12. **Do not touch the jig saw blade or the workpiece immediately after operation; they may be extremely hot and could burn your skin.**
13. **Do not operate the tool at no-load unnecessarily.**
14. **Some material contains chemicals which may be toxic. Take caution to prevent dust inhalation and skin contact. Follow material supplier safety data.**
15. **Always use the correct dust mask/respirator for the material and application you are working with.**

SAVE THESE INSTRUCTIONS.

⚠ WARNING: DO NOT let comfort or familiarity with product (gained from repeated use) replace strict adherence to safety rules for the subject product. MISUSE or failure to follow the safety rules stated in this instruction manual may cause serious personal injury.

Symbols

The followings show the symbols used for tool.

v	volts
 	direct current
n ₀	no load speed
.../min r/min	revolutions or reciprocation per minute

Important safety instructions for battery cartridge

1. **Before using battery cartridge, read all instructions and cautionary markings on (1) battery charger, (2) battery, and (3) product using battery.**
2. **Do not disassemble or tamper with the battery cartridge.** It may result in a fire, excessive heat, or explosion.
3. **If operating time has become excessively shorter, stop operating immediately. It may result in a risk of overheating, possible burns and even an explosion.**
4. **If electrolyte gets into your eyes, rinse them out with clear water and seek medical attention right away. It may result in loss of your eyesight.**
5. **Do not short the battery cartridge:**
 - (1) **Do not touch the terminals with any conductive material.**
 - (2) **Avoid storing battery cartridge in a container with other metal objects such as nails, coins, etc.**
 - (3) **Do not expose battery cartridge to water or rain.**

A battery short can cause a large current flow, overheating, possible burns and even a breakdown.
6. **Do not store and use the tool and battery cartridge in locations where the temperature may reach or exceed 50 °C (122 °F).**
7. **Do not incinerate the battery cartridge even if it is severely damaged or is completely worn out. The battery cartridge can explode in a fire.**
8. **Do not nail, cut, crush, throw, drop the battery cartridge, or hit against a hard object to the battery cartridge.** Such conduct may result in a fire, excessive heat, or explosion.
9. **Do not use a damaged battery.**
10. **The contained lithium-ion batteries are subject to the Dangerous Goods Legislation requirements.** For commercial transports e.g. by third parties, forwarding agents, special requirement on packaging and labeling must be observed. For preparation of the item being shipped, consulting an expert for hazardous material is required. Please also observe possibly more detailed national regulations. Tape or mask off open contacts and pack up the battery in such a manner that it cannot move around in the packaging.

11. When disposing the battery cartridge, remove it from the tool and dispose of it in a safe place. Follow your local regulations relating to disposal of battery.
12. Use the batteries only with the products specified by Makita. Installing the batteries to non-compliant products may result in a fire, excessive heat, explosion, or leak of electrolyte.
13. If the tool is not used for a long period of time, the battery must be removed from the tool.
14. During and after use, the battery cartridge may take on heat which can cause burns or low temperature burns. Pay attention to the handling of hot battery cartridges.
15. Do not touch the terminal of the tool immediately after use as it may get hot enough to cause burns.
16. Do not allow chips, dust, or soil stuck into the terminals, holes, and grooves of the battery cartridge. It may cause heating, catching fire, burst and malfunction of the tool or battery cartridge, resulting in burns or personal injury.
17. Unless the tool supports the use near high-voltage electrical power lines, do not use the battery cartridge near high-voltage electrical power lines. It may result in a malfunction or breakdown of the tool or battery cartridge.
18. Keep the battery away from children.

SAVE THESE INSTRUCTIONS.

CAUTION: Only use genuine Makita batteries. Use of non-genuine Makita batteries, or batteries that have been altered, may result in the battery bursting causing fires, personal injury and damage. It will also void the Makita warranty for the Makita tool and charger.

Tips for maintaining maximum battery life

1. Charge the battery cartridge before completely discharged. Always stop tool operation and charge the battery cartridge when you notice less tool power.
2. Never recharge a fully charged battery cartridge. Overcharging shortens the battery service life.
3. Charge the battery cartridge with room temperature at 10 °C - 40 °C (50 °F - 104 °F). Let a hot battery cartridge cool down before charging it.
4. When not using the battery cartridge, remove it from the tool or the charger.
5. Charge the battery cartridge if you do not use it for a long period (more than six months).

FUNCTIONAL DESCRIPTION

CAUTION: Always be sure that the tool is switched off and the battery cartridge is removed before adjusting or checking function on the tool.

Installing or removing battery cartridge

CAUTION: Always switch off the tool before installing or removing of the battery cartridge.

CAUTION: Hold the tool and the battery cartridge firmly when installing or removing battery cartridge. Failure to hold the tool and the battery cartridge firmly may cause them to slip off your hands and result in damage to the tool and battery cartridge and a personal injury.

To install the battery cartridge, align the tongue on the battery cartridge with the groove in the housing and slip it into place. Insert it all the way until it locks in place with a little click. If you can see the red indicator as shown in the figure, it is not locked completely.

To remove the battery cartridge, slide it from the tool while sliding the button on the front of the cartridge.

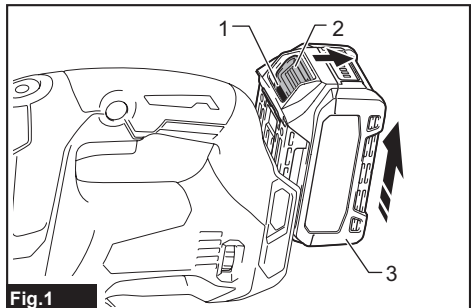


Fig.1
▶ 1. Red indicator 2. Button 3. Battery cartridge

CAUTION: Always install the battery cartridge fully until the red indicator cannot be seen. If not, it may accidentally fall out of the tool, causing injury to you or someone around you.

CAUTION: Do not install the battery cartridge forcibly. If the cartridge does not slide in easily, it is not being inserted correctly.

Indicating the remaining battery capacity

Press the check button on the battery cartridge to indicate the remaining battery capacity. The indicator lamps light up for a few seconds.

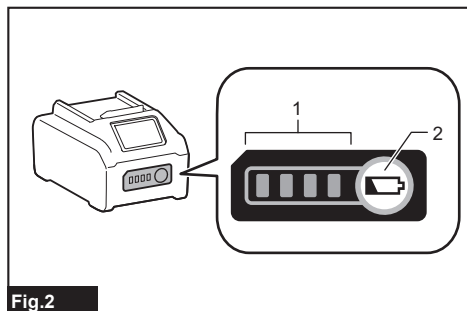


Fig.2

► 1. Indicator lamps 2. Check button

Indicator lamps			Remaining capacity
Lighted	Off	Blinking	
■ ■ ■ ■	□ □ □ □	□ □ □ □	75% to 100%
■ ■ ■ □	□ □ □ □	□ □ □ □	50% to 75%
■ ■ □ □	□ □ □ □	□ □ □ □	25% to 50%
■ □ □ □	□ □ □ □	□ □ □ □	0% to 25%
▣ □ □ □	□ □ □ □	□ □ □ □	Charge the battery.
■ ■ □ □	□ □ □ □	□ □ □ □	The battery may have malfunctioned.
□ □ ■ ■	□ □ □ □	□ □ □ □	

NOTE: Depending on the conditions of use and the ambient temperature, the indication may differ slightly from the actual capacity.

NOTE: The first (far left) indicator lamp will blink when the battery protection system works.

Tool / battery protection system

The tool is equipped with a tool/battery protection system. This system automatically cuts off power to the motor to extend tool and battery life. The tool will automatically stop during operation if the tool or battery is placed under one of the following conditions:

Overload protection

When the battery is operated in a manner that causes it to draw an abnormally high current, the tool automatically stops without any indication. In this situation, turn the tool off and stop the application that caused the tool to become overloaded. Then turn the tool on to restart.

Overheat protection

When the tool or battery is overheated, the tool stops automatically and the lamp blinks. In this case, let the tool and battery cool before turning the tool on again.

Overdischarge protection

When the battery capacity is not enough, the tool stops automatically. In this case, remove the battery from the tool and charge the battery.

Protections against other causes

Protection system is also designed for other causes that could damage the tool and allows the tool to stop automatically. Take all the following steps to clear the causes, when the tool has been brought to a temporary halt or stop in operation.

1. Turn the tool off, and then turn it on again to restart.
2. Charge the battery(ies) or replace it/them with recharged battery(ies).
3. Let the tool and battery(ies) cool down.

If no improvement can be found by restoring protection system, then contact your local Makita Service Center.

Selecting the cutting action

This tool can be operated with an orbital or a straight line (up and down) cutting action. The orbital cutting action thrusts the jig saw blade forward and increases cutting speed.

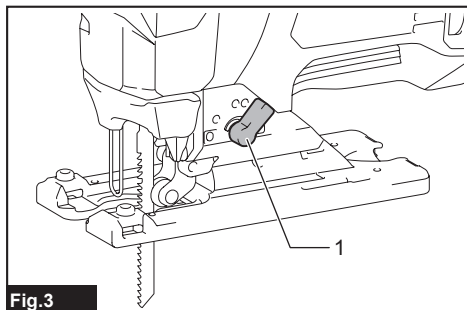


Fig.3

► 1. Cutting action changing lever

To change the cutting action, turn the cutting action changing lever to the desired cutting action position. Refer to the table to select the appropriate cutting action.

Position	Cutting action	Applications
0	Straight line cutting action	For cutting mild steel, stainless steel and plastics. For clean cuts in wood and plywood.
I	Small orbital cutting action	For cutting mild steel, aluminum and hard wood.
II	Medium orbital cutting action	For cutting wood and plywood. For fast cutting in aluminum and mild steel.
III	Large orbital cutting action	For fast cutting in wood and plywood.

Switch action

CAUTION: Before installing the battery cartridge into the tool, always check to see that the switch trigger actuates properly and returns to the "OFF" position when released.

To turn on the tool, press the lock switch. The tool turns into the standby mode. To start the tool, pull the switch trigger in the standby mode. Tool speed is increased by increasing pressure on the switch trigger.

To stop the tool, release the switch trigger. The tool turns into the standby mode. To turn off the tool, press the lock switch in the standby mode.

For continuous operation, pull the switch trigger in the standby mode, and then push in the lock on button.

To stop the tool, pull the switch trigger fully, and then release it.

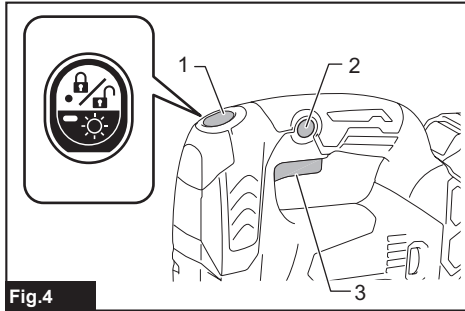


Fig.4

► 1. Lock switch 2. Lock on button 3. Switch trigger

NOTE: If the tool is left for 10 seconds without any operation in the standby mode, the tool automatically turns off and the lamp goes off.

NOTE: The lock switch is not available while the tool is operating.

Lighting up the front lamp

CAUTION: Do not look in the light or see the source of light directly.

Press the lock switch to turn on the lamp. Press the lock switch again to turn off the lamp.

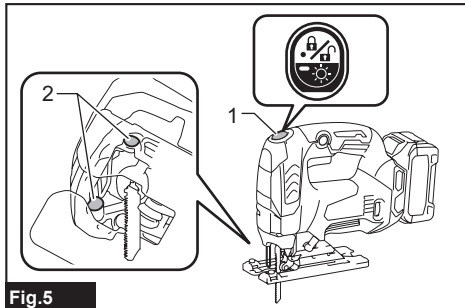


Fig.5

► 1. Lock switch 2. Lamp

The brightness has three levels. To decrease the brightness of the lamp, press and hold the lock switch when turning on the tool. About 1 second after pressing and holding the lock switch, the brightness of the lamp will start to decrease. The brightness returns to the highest level from the lowest level and repeats the decrease. Release the lock switch when you reach the desired brightness.

NOTICE: When the tool is overheated, the lamp blinks. Cool down the tool fully before operating the tool again.

NOTE: Press and hold the lock switch continuously to cycle through the three brightness levels.

NOTE: The brightness of the lamp cannot be adjusted while the tool is in standby mode. To adjust the brightness, turn the tool off and then on again.

NOTE: The lamp lights up at the same brightness level as the last time the tool was used.

NOTE: Use a dry cloth to wipe the dirt off the lens of the lamp. Be careful not to scratch the lens of lamp, or it may lower the illumination.

Speed adjusting dial

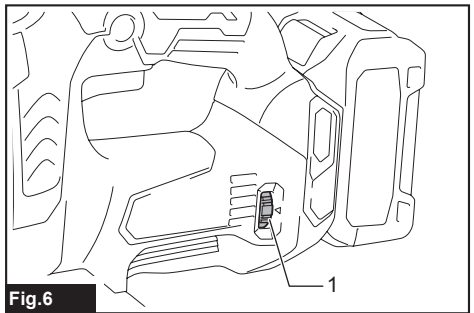


Fig.6

► 1. Speed adjusting dial

The tool speed can be adjusted by turning the speed adjusting dial. You can get the highest speed at 6 and the lowest speed at 1.

Refer to the table to select the proper speed for the workpiece to be cut. However, the appropriate speed may differ with the type or thickness of the workpiece. In general, higher speeds will allow you to cut workpieces faster but the service life of the jig saw blade will be reduced.

Workpiece	Number
Wood	4 - 6
Mild steel	3 - 6
Stainless steel	3 - 4
Aluminum	3 - 6
Plastics	1 - 4

NOTICE: The speed adjusting dial can be turned only as far as 6 and back to 1. Do not force it past 6 or 1, or the speed adjusting function may no longer work.

Electronic function

The tool is equipped with the electronic functions for easy operation.

Soft start

The soft-start function minimizes start-up shock, and makes the tool start smoothly.

Constant speed control

Electronic speed control for obtaining constant speed. Possible to get fine finish, because the rotating speed is kept constant even under load condition.

Soft no-load rotation

When the speed adjusting dial is set to "3" or higher, the tool automatically reduces the speed at no-load to reduce the vibration and align the jig saw blade with the cutting line easily. Once the tool starts cutting the workpiece, the tool speed increase and reach the pre-set speed.

NOTE: When the temperature is low, this function may not be available. This function also may not be available depending on the type of the material.

NOTE: This function will not work if the switch trigger is not pulled enough to increase the speed, even if the speed adjusting dial is set to "3" or higher.

NOTE: If the speed does not decrease after cutting the workpiece, turn off the tool and then turn on it again.

Disabling or enabling the soft no-load rotation function

To disable or enable the soft no-load rotation function, follow the steps below.

1. Make sure that the tool is turned off.
2. Set the speed adjusting dial to "1".
3. Press the lock switch to turn on the tool.
4. Turn the speed adjusting dial to "6", and then set it back to "1".

The lamp blinks twice when the soft no-load rotation function is disabled or enabled. To enable or disable this function again, perform the same procedure again.

NOTE: If the soft no-load rotation function is disabled, the lamp blinks twice when the tool is turned on.

NOTE: You can also disable or enable the soft no-load rotation function by changing the speed adjusting dial to "6" - "1" - "6".

Electric brake

This tool is equipped with an electric brake. If the tool consistently fails to quickly stop after the switch trigger is released, have the tool serviced at a Makita service center.

ASSEMBLY

CAUTION: Always be sure that the tool is switched off and the battery cartridge is removed before carrying out any work on the tool.

Installing or removing jig saw blade

CAUTION: Always clean out all chips or foreign matter adhering to the jig saw blade and/or blade holder. Failure to do so may cause insufficient tightening of the jig saw blade, resulting in a serious personal injury.

CAUTION: Do not touch the jig saw blade or the workpiece immediately after operation. They may be extremely hot and could burn your skin.

CAUTION: Always secure the jig saw blade firmly. Insufficient tightening of the jig saw blade may cause the blade breakage or serious personal injury.

CAUTION: When you remove the jig saw blade, be careful not to hurt your fingers with the top of the jig saw blade or the tips of workpiece.

Before installing the jig saw blade, make sure that the jig saw blade clamp lever is in the released position. To install the jig saw blade, insert the jig saw blade (teeth facing forward) into the jig saw blade holder until it latches. The jig saw blade clamp lever moves to the fixed position by itself and the jig saw blade is locked. Make sure that the back edge of the jig saw blade fits into the roller. Pull the jig saw blade lightly to make sure that the jig saw blade does not fall off during operation.

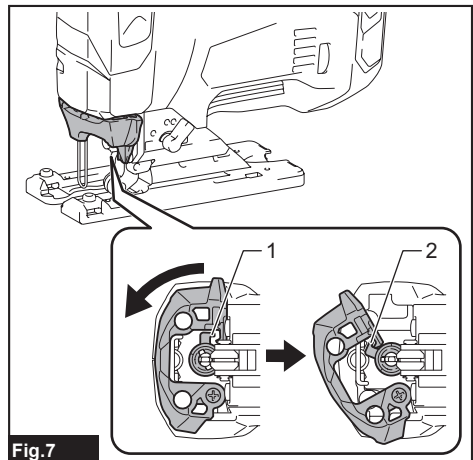


Fig. 7

- ▶ 1. Jig saw blade clamp lever (fixed position) 2. Jig saw blade clamp lever (released position)

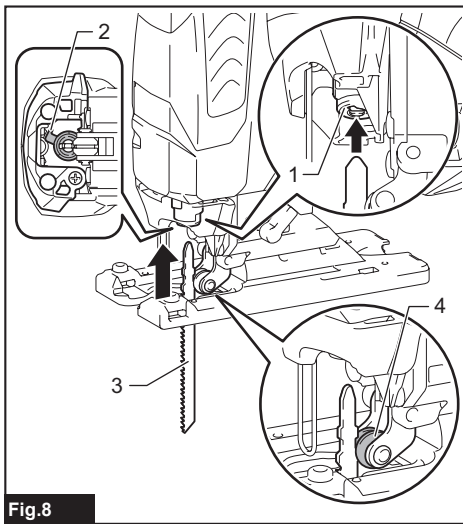


Fig.8

- 1. Jig saw blade holder 2. Jig saw blade clamp lever (released position) 3. Jig saw blade 4. Roller

CAUTION: Do not open the tool opener excessively, or it may cause tool damage.

To remove the jig saw blade, open the tool opener forward as far as it will go. This allows the jig saw blade to be released.

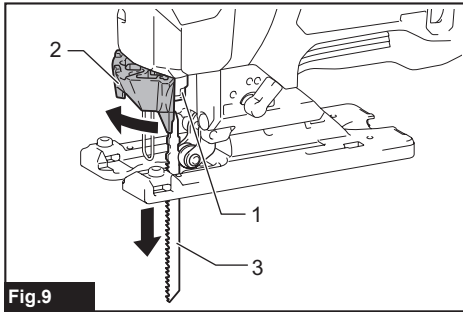


Fig.9

- 1. Jig saw blade holder 2. Tool opener 3. Jig saw blade

NOTE: In case that it is difficult to remove the jig saw blade:

Turn the cutting action changing lever to the position "III" and slightly switch on the tool several times so that the jig saw blade holder moves to the bottom.

Make sure the jig saw blade clamp lever is in the fixed position when switch on the tool.

Remove the battery cartridge from the tool before installing or removing the jig saw blade.

NOTE: Occasionally lubricate the roller.

Hex wrench storage

When not in use, store the hex wrench as shown in the figure to keep it from being lost.

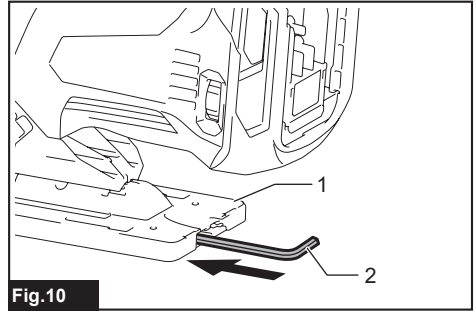


Fig.10

- 1. Base 2. Hex wrench

Cover plate

Use the cover plate when cutting decorative veneers, plastics, etc. It protects sensitive or delicate surfaces from damage. Fit it on the bottom of the tool base.

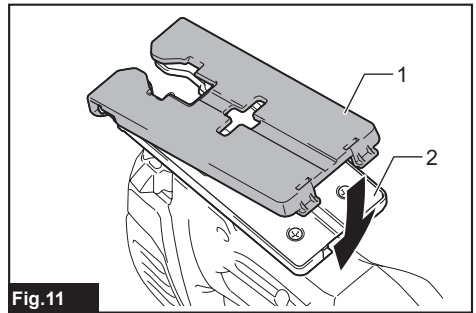


Fig.11

- 1. Cover plate 2. Base

Anti-splintering device

CAUTION: The anti-splintering device cannot be used when making bevel cuts.

For splinter-free cuts, the anti-splintering device can be used. To install the anti-splintering device, move the tool base all the way forward and fit it from the bottom of tool base.

When you use the cover plate, install the anti-splintering device onto the cover plate.

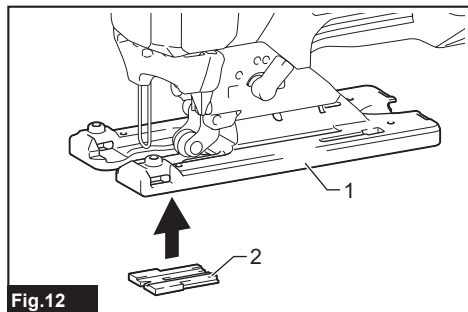


Fig.12

► 1. Base 2. Anti-splintering device

Dust extraction

Optional accessory

The dust nozzle is recommended to perform clean cutting operations.

To attach the dust nozzle on the tool, insert the hook of dust nozzle into the hole in the base.

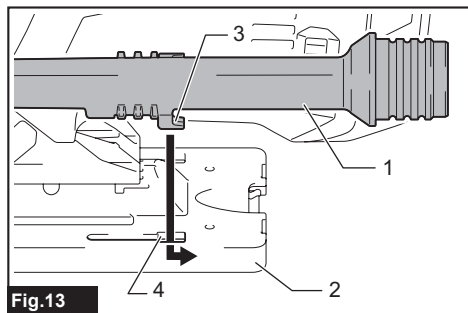


Fig.13

► 1. Dust nozzle 2. Base 3. Hook 4. Hole

To secure the dust nozzle, tighten the clamp screw at the front of the dust nozzle. The dust nozzle can be installed on either left or right side of the base.

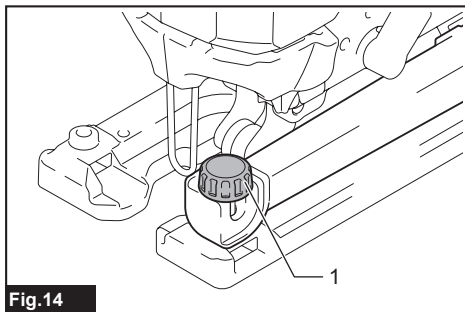


Fig.14

► 1. Clamp screw

Then connect a Makita vacuum cleaner to the dust nozzle.

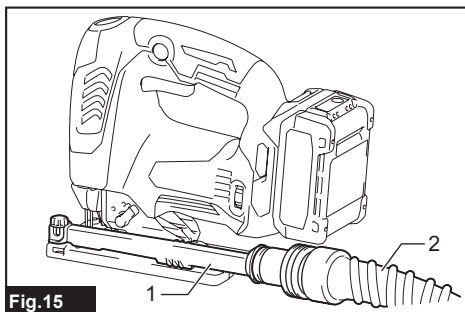


Fig.15

► 1. Dust nozzle 2. Hose for vacuum cleaner

OPERATION

CAUTION: Always hold the base flush with the workpiece. Failure to do so may cause jig saw blade breakage, resulting in a serious injury.

CAUTION: Advance the tool very slowly when cutting curves or scrolling. Forcing the tool may cause a slanted cutting surface and jig saw blade breakage.

Turn the tool on without the jig saw blade making any contact and wait until the jig saw blade attains full speed. Then rest the base flat on the workpiece and gently move the tool forward along the previously marked cutting line.

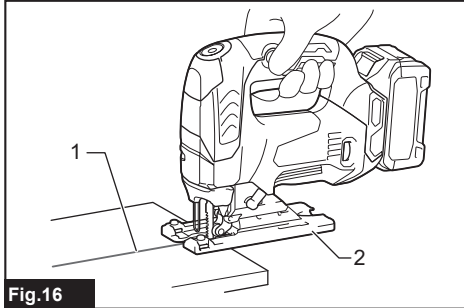


Fig.16

► 1. Cutting line 2. Base

Bevel cutting

CAUTION: Always be sure that the tool is switched off and the battery cartridge is removed before tilting the base.

With the base tilted, you can make bevel cuts at any angle between 0° and 45° (left or right).

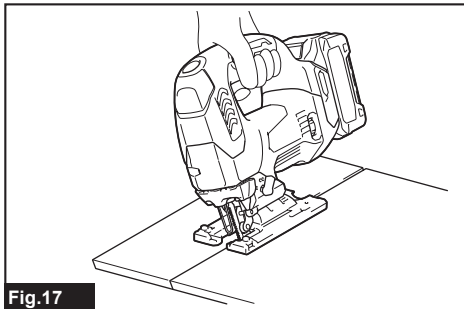


Fig.17

To tilt the base, loosen the bolt on the bottom of the base with the hex wrench. Move the base so that the bolt is positioned in the center of the bevel slot in the base.

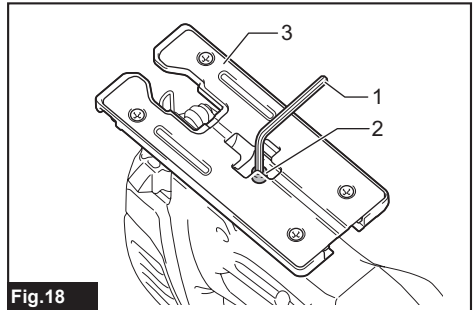


Fig.18

► 1. Hex wrench 2. Bolt 3. Base

Tilt the base until the desired bevel angle is obtained. The V-notch of the gear housing indicates the bevel angle by graduations. Then tighten the bolt firmly to secure the base.

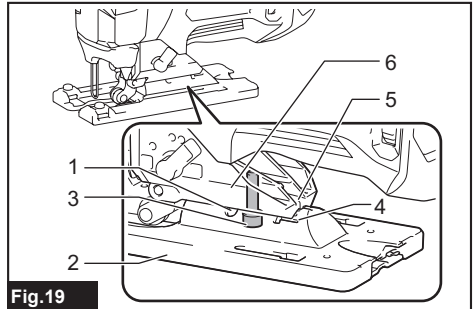


Fig.19

► 1. Bevel slot 2. Base 3. Bolt 4. Graduations
5. V-notch 6. Gear housing

NOTE: When making bevel cuts with the dust extraction, install the dust extraction on the opposite side to the bevel. If the dust extraction is installed on the same side to bevel, always reinstall the dust extraction on the opposite side.

Front flush cuts

Loosen the bolt on the bottom of the base with the hex wrench and slide the base all the way back. Then tighten the bolt to secure the base.

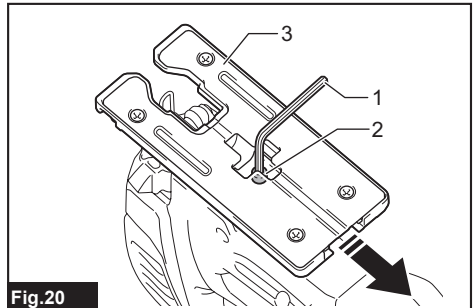


Fig.20

► 1. Hex wrench 2. Bolt 3. Base

Cutouts

Cutouts can be made with either of two methods "Boring a starting hole" or "Plunge cutting".

Boring a starting hole

For internal cutouts without a lead-in cut from an edge, pre-drill a starting hole 12 mm (15/32") or more in diameter. Insert the jig saw blade into this hole to start your cut.

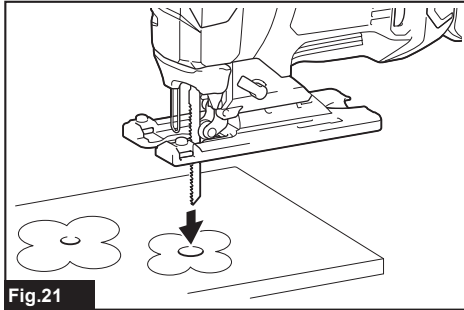


Fig.21

Plunge cutting

You need not bore a starting hole or make a lead-in cut if you carefully do as follows.

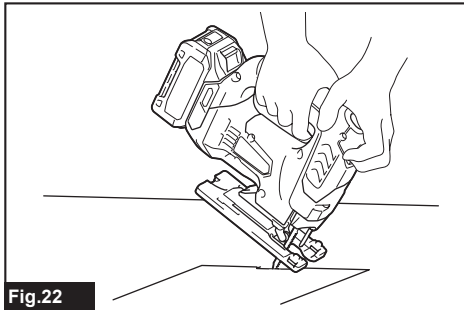


Fig.22

1. Tilt the tool up on the front edge of the base with the jig saw blade point positioned just above the workpiece surface.
2. Apply pressure to the tool so that the front edge of the base will not move when you switch on the tool and gently lower the back end of the tool slowly.
3. As the jig saw blade pierces the workpiece, slowly lower the base of the tool down onto the workpiece surface.
4. Complete the cut in the normal manner.

Finishing edges

To trim edges or make dimensional adjustments, run the jig saw blade lightly along the cut edges.

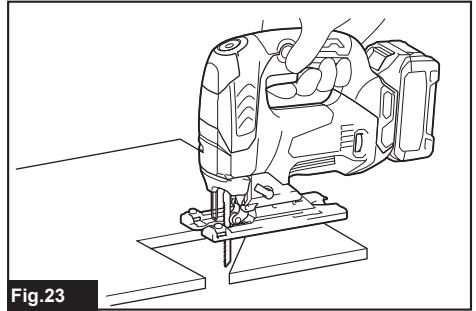


Fig.23

Metal cutting

Always use a suitable coolant (cutting oil) when cutting metal. Failure to do so will cause significant jig saw blade wear. The underside of the workpiece can be greased instead of using a coolant.

Rip fence

Optional accessory

CAUTION: Always be sure that the tool is switched off and the battery cartridge is removed before installing or removing accessories.

Straight cuts

When repeatedly cutting widths of 160 mm (6-5/16") or less, use of the rip fence will assure fast, clean, straight cuts.

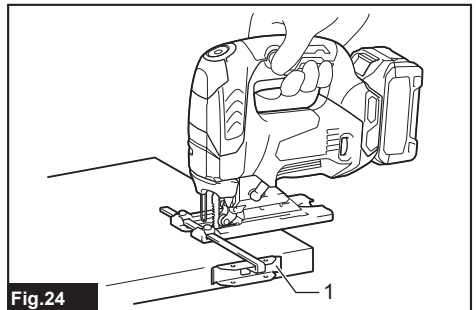


Fig.24

- 1. Rip fence (Guide rule)

To install, insert the rip fence into the rectangular hole on the side of the base with the fence guide facing down. Slide the rip fence to the desired cutting width position, then tighten the bolt to secure it.

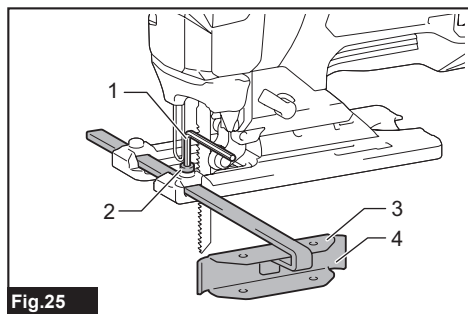


Fig.25

► 1. Hex wrench 2. Bolt 3. Fence guide 4. Rip fence (Guide rule)

Circular cuts

When cutting circles or arcs of 170 mm (6-11/16") or less in radius, install the rip fence as follows.

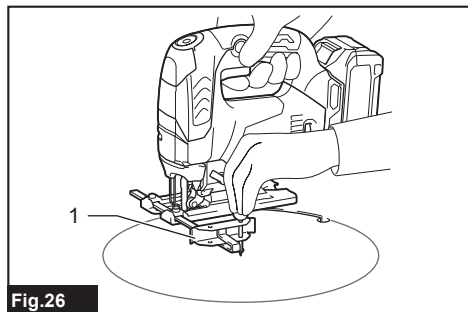


Fig.26

► 1. Rip fence (Guide rule)

CAUTION: Do not touch the tip of the circular guide pin. The sharp tip of the circular guide pin can cause injury.

1. Insert the rip fence into the rectangular hole on the side of the base with the fence guide facing up.
2. Insert the circular guide pin through either of the two holes on the fence guide. Screw the threaded knob onto the circular guide pin to secure the circular guide pin.

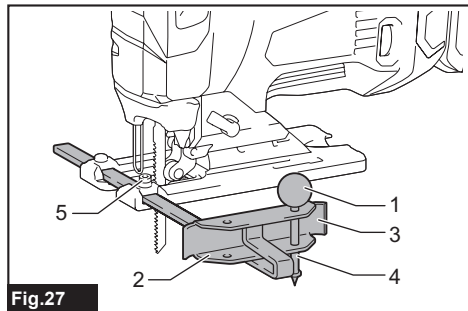


Fig.27

► 1. Threaded knob 2. Fence guide 3. Rip fence (Guide rule) 4. Circular guide pin 5. Bolt

3. Slide the rip fence to the desired cutting radius, and tighten the bolt to secure it in place.

NOTE: Always use jig saw blades No. B-17, B-18, B-26 or B-27 when cutting circles or arcs.

Guide rail adapter set

Optional accessory

When cutting parallel and uniform width or cutting straight, the use of the guide rail and the guide rail adapter will assure the production of fast and clean cuts. To install the guide rail adapter, insert the rule bar into the rectangular hole on the side of the base as far as it goes. Secure the bolt with the hex wrench securely.

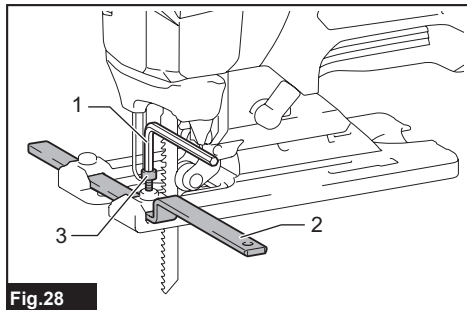


Fig.28

► 1. Hex wrench 2. Rule bar 3. Bolt

Insert the rule bar into the square hole of the guide rail adapter, and secure the screw firmly. Place the guide rail adapter on the guide rail.

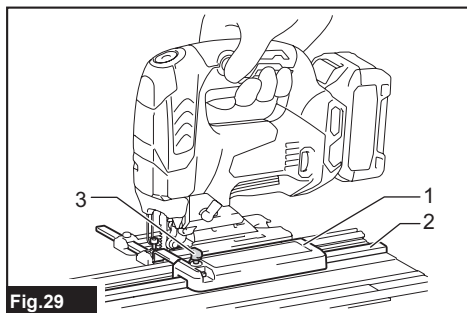


Fig.29

► 1. Guide rail adapter 2. Guide rail 3. Screw

NOTICE: Always use jig saw blades No. B-8, B-13, B-16, B-17 or 58 when using the guide rail and the guide rail adapter.

MAINTENANCE

⚠ CAUTION: Always be sure that the tool is switched off and the battery cartridge is removed before attempting to perform inspection or maintenance.

NOTICE: Never use gasoline, benzine, thinner, alcohol or the like. Discoloration, deformation or cracks may result.

To maintain product SAFETY and RELIABILITY, repairs, any other maintenance or adjustment should be performed by Makita Authorized or Factory Service Centers, always using Makita replacement parts.

OPTIONAL ACCESSORIES

⚠ CAUTION: These accessories or attachments are recommended for use with your Makita tool specified in this manual. The use of any other accessories or attachments might present a risk of injury to persons. Only use accessory or attachment for its stated purpose.

If you need any assistance for more details regarding these accessories, ask your local Makita Service Center.

- Jig saw blades
- Hex wrench 4
- Rip fence (guide rule) set
- Guide rail adapter set
- Guide rail set
- Anti-splintering device
- Cover plate
- Dust nozzle assy
- Makita genuine battery and charger

NOTE: Some items in the list may be included in the tool package as standard accessories. They may differ from country to country.

MAKITA LIMITED WARRANTY

Please refer to the annexed warranty sheet for the most current warranty terms applicable to this product. If annexed warranty sheet is not available, refer to the warranty details set forth at below website for your respective country.

United States of America: www.makitatools.com

Canada: www.makita.ca

Other countries: www.makita.com

SPÉCIFICATIONS

Modèle :		JV002G
Longueur de course		26 mm (1")
Nombre de courses par minute		0 - 3 500 /min
Type de lame		Type B
Capacités de coupe max.	Bois	135 mm (5-5/16")
	Acier doux	10 mm (3/8")
	Aluminium	20 mm (13/16")
Longueur hors-tout (avec BL4025)		272 mm (10-3/4")
Tension nominale		C.C. 36 V - 40 V max.
Poids net		2,7 - 3,0 kg (6,0 - 6,6 lbs)

- Étant donné l'évolution constante de notre programme de recherche et développement, les spécifications contenues dans ce manuel sont sujettes à modification sans préavis.
- Les spécifications peuvent varier suivant les pays.
- Le poids peut varier selon les accessoires, y compris la batterie. La plus légère et la plus lourde combinaisons, selon la procédure EPTA 01/2014, sont indiquées dans le tableau.

Batteries et chargeurs applicables

Batterie	BL4020 / BL4025 / BL4040 / BL4040F
Chargeur	DC40RA / DC40RB / DC40RC

- Suivant la région où vous habitez, il se peut que certaines des batteries et certains des chargeurs énumérés ci-dessus ne soient pas disponibles.

⚠ MISE EN GARDE : Utilisez exclusivement les batteries et chargeurs énumérés ci-dessus. L'utilisation de toute autre batterie ou tout autre chargeur peut entraîner une blessure et/ou un incendie.

CONSIGNES DE SÉCURITÉ

Consignes de sécurité générales pour outils électriques

⚠ MISE EN GARDE Veuillez lire l'ensemble des consignes de sécurité, instructions, illustrations et spécifications fournies pour cet outil électrique. Il existe un risque de décharge électrique, d'incendie et/ou de blessures graves si toutes les instructions énumérées ci-dessous ne sont pas respectées.

Conservez toutes les mises en garde et instructions pour référence future.

Le terme « outil électrique » qui figure dans les avertissements fait référence à un outil électrique branché sur une prise de courant (par un cordon d'alimentation) ou alimenté par batterie (sans fil).

Sécurité de la zone de travail

1. **Maintenez la zone de travail propre et bien éclairée.** Les zones de travail encombrées ou sombres ouvrent grande la porte aux accidents.
2. **N'utilisez pas les outils électriques dans les atmosphères explosives, par exemple en présence de liquides, gaz ou poussières inflammables.** Les outils électriques produisent des étincelles au contact desquelles la poussière ou les vapeurs peuvent s'enflammer.
3. **Assurez-vous qu'aucun enfant ou curieux ne s'approche pendant que vous utilisez un outil électrique.** Vous risquez de perdre la maîtrise de l'outil si votre attention est détournée.

Sécurité en matière d'électricité

1. **Les fiches d'outil électrique sont conçues pour s'adapter parfaitement aux prises de courant. Ne modifiez jamais la fiche de quelque façon que ce soit. N'utilisez aucun adaptateur de fiche sur les outils électriques avec mise à la terre.** En ne modifiant pas les fiches et en les insérant dans des prises de courant pour lesquelles elles ont été conçues, vous réduirez les risques de choc électrique.
2. **Évitez tout contact corporel avec les surfaces mises à la terre, telles que tuyaux, radiateurs, cuisinières et réfrigérateurs.** Le risque de choc électrique est plus élevé si votre corps se trouve mis à la terre.

3. **N'exposez pas les outils électriques à la pluie ou à l'eau.** La présence d'eau dans un outil électrique augmente le risque de choc électrique.
4. **Ne maltraitez pas le cordon. N'utilisez jamais le cordon pour transporter, tirer ou débrancher l'outil électrique. Maintenez le cordon à l'écart des sources de chaleur, de l'huile, des objets à bords tranchants et des pièces en mouvement.** Le risque de choc électrique est plus élevé lorsque les cordons sont endommagés ou enchevêtrés.
5. **Lorsque vous utilisez un outil électrique à l'extérieur, utilisez un cordon prolongateur conçu pour l'usage extérieur.** Les risques de choc électrique est moindre lorsqu'un cordon conçu pour l'usage extérieur est utilisé.
6. **Si vous devez utiliser un outil électrique dans un endroit humide, utilisez une source d'alimentation protégée par un disjoncteur de fuite à la terre.** L'utilisation d'un disjoncteur de fuite à la terre réduit le risque de choc électrique.
7. **Les outils électriques peuvent produire des champs électromagnétiques (CEM) qui ne sont pas préjudiciables à l'utilisateur.** Les utilisateurs de stimulateur cardiaque ou autres appareils médicaux similaires doivent toutefois demander conseil au fabricant et/ou à leur médecin avant d'utiliser cet outil électrique.
7. **Si des accessoires sont fournis pour raccorder un appareil d'aspiration et de collecte de la poussière, assurez-vous qu'ils sont correctement raccordés et qu'ils sont utilisés de manière adéquate.** L'utilisation d'un appareil de collecte permet de réduire les risques liés à la présence de poussière dans l'air.
8. **Évitez d'être complaisant et d'ignorer les principes de sécurité de l'outil en raison de la familiarité acquise par un usage fréquent des outils.** Un geste imprudent peut entraîner une grave blessure en une fraction de seconde.
9. **Portez toujours des lunettes à coques de protection pour protéger vos yeux contre les blessures lors de l'utilisation d'outils électriques. Les lunettes à coques doivent être conformes à ANSI Z87.1 aux États-Unis.** L'employeur a la responsabilité d'imposer l'utilisation d'équipements de protection de sécurité adéquats aux utilisateurs des outils électriques et à toute autre personne se trouvant dans la zone de travail immédiate.

Utilisation et entretien des outils électriques

Sécurité personnelle

1. **Restez alerte, attentif à vos mouvements et faites preuve de bon sens lorsque vous utilisez un outil électrique. N'utilisez pas les outils électriques si vous êtes fatigué ou avez pris une drogue, de l'alcool ou un médicament.** Un moment d'inattention pendant l'utilisation d'un outil électrique peut entraîner une grave blessure.
2. **Portez des dispositifs de protection personnelle. Portez toujours une protection oculaire.** Les risques de blessure seront moins élevés si vous utilisez des dispositifs de protection tels qu'un masque anti-poussière, des chaussures à semelle antidérapante, une coiffure résistante ou une protection d'oreilles.
3. **Évitez les démarrages accidentels. Assurez-vous que l'interrupteur est en position d'arrêt avant de brancher l'outil à la prise de courant et/ou au bloc-piles, et avant de prendre ou de transporter l'outil.** Vous ouvrez la porte aux accidents si vous transportez les outils électriques avec le doigt sur l'interrupteur ou si vous les branchez alors que l'interrupteur est en position de marche.
4. **Retirez toute clé de réglage ou de serrage avant de mettre l'outil électrique sous tension.** Toute clé laissée en place sur une pièce rotative de l'outil électrique peut entraîner une blessure.
5. **Ne vous étirez pas exagérément. Assurez-vous d'une bonne prise au sol et d'un bon équilibre en tout temps.** Cela vous permettra d'avoir une meilleure maîtrise de l'outil électrique dans les situations imprévues.
6. **Habilitez-vous convenablement. Ne portez pas de vêtement ample ou des bijoux. Maintenez vos cheveux et vos vêtements à l'écart des pièces mobiles.** Les vêtements amples, les bijoux et les cheveux longs peuvent rester pris dans les pièces mobiles.
1. **Ne forcez pas l'outil électrique. Utilisez l'outil électrique adéquat suivant le type de travail à effectuer.** Si vous utilisez l'outil électrique adéquat et respectez le régime pour lequel il a été conçu, il effectuera un travail de meilleure qualité et plus sécuritaire.
2. **N'utilisez pas l'outil électrique s'il n'est pas possible de l'allumer et de l'éteindre avec son interrupteur.** Un outil électrique dont l'interrupteur est défectueux représente un danger et doit être réparé.
3. **Avant d'effectuer tout réglage, de remplacer un accessoire ou de ranger l'outil électrique, débranchez la fiche de la source d'alimentation et/ou retirez la batterie de l'outil électrique si elle est amovible.** Ces mesures préventives de sécurité réduisent les risques de démarrage accidentel de l'outil électrique.
4. **Après l'utilisation d'un outil électrique, rangez-le hors de portée des enfants et ne laissez aucune personne l'utiliser si elle n'est pas familiarisée avec l'outil électrique ou les présentes instructions d'utilisation.** Les outils électriques représentent un danger entre les mains de personnes qui n'en connaissent pas le mode d'utilisation.
5. **Effectuez l'entretien des outils électriques et des accessoires. Assurez-vous que les pièces mobiles ne sont pas désalignées ou coincées, qu'aucune pièce n'est cassée et que l'outil électrique n'a subi aucun dommage affectant son bon fonctionnement. Le cas échéant, faites réparer l'outil électrique avant de l'utiliser.** De nombreux accidents sont causés par des outils électriques mal entretenus.
6. **Maintenez les outils tranchants bien aiguisés et propres.** Un outil tranchant dont l'entretien est effectué correctement et dont les bords sont bien aiguisés risquera moins de se coincer et sera plus facile à maîtriser.
7. **Utilisez l'outil électrique, ses accessoires, ses embouts, etc., en respectant les présentes instructions, en tenant compte des conditions de travail et du type de travail à effectuer.** L'utilisation d'un outil électrique pour d'autres usages que ceux prévus peut entraîner une situation dangereuse.

8. **Gardez les poignées et surfaces de saisie sèches, propres et exemptes d'huile et de graisse.** Les poignées et surfaces de saisie glissantes ne permettent pas une manipulation sûre et une bonne maîtrise de l'outil dans les situations inattendues.

9. **Lors de l'utilisation de l'outil, ne portez pas de gants de travail en tissu qui risquent de s'enchevêtrer dans l'outil.** L'enchevêtrement de gants de travail en tissu dans les pièces en mouvement peut entraîner une blessure.

Utilisation et entretien des outils alimentés par batterie

1. **Pour recharger, utilisez uniquement le chargeur spécifié par le fabricant.** L'utilisation d'un chargeur conçu pour un type donné de bloc-piles comporte un risque d'incendie lorsqu'il est utilisé avec un autre type de bloc-piles.
2. **N'utilisez un outil électrique qu'avec le bloc-piles conçu spécifiquement pour cet outil.** Il y a risque de blessure ou d'incendie si un autre bloc-piles est utilisé.
3. **Lorsque vous n'utilisez pas le bloc-piles, rangez-le à l'écart des objets métalliques tels que trombones, pièces de monnaie, clés, clous, vis ou autres petits objets métalliques qui risqueraient d'établir une connexion entre les bornes.** La mise en court-circuit des bornes de batterie peut causer des brûlures ou un incendie.
4. **Dans des conditions d'utilisation inadéquates de la batterie, il peut y avoir fuite d'électrolyte; évitez tout contact avec ce liquide. En cas de contact accidentel, rincez avec beaucoup d'eau. Si le liquide pénètre dans vos yeux, il faut aussi consulter un médecin.** L'électrolyte qui s'échappe de la batterie peut causer des irritations ou des brûlures.
5. **N'utilisez pas une batterie ou un outil s'il est endommagé ou modifié.** Les batteries endommagées ou modifiées peuvent avoir un comportement imprévisible dont peut résulter un incendie, une explosion ou un risque de blessure.
6. **N'exposez pas une batterie ou un outil au feu ou à une température excessive.** L'exposition au feu ou à une température supérieure à 130 °C peut entraîner une explosion.
7. **Suivez toutes les instructions de charge et ne chargez pas la batterie ou l'outil à l'extérieur de la plage de température spécifiée dans les instructions.** Charger de manière inadéquate ou à des températures hors de la plage spécifiée peut endommager la batterie et augmenter le risque d'incendie.

Réparation

1. **Faites réparer votre outil électrique par un réparateur qualifié qui utilise des pièces de rechange identiques aux pièces d'origine.** Le maintien de la sûreté de l'outil électrique sera ainsi assuré.
2. **N'essayez jamais de réparer les batteries endommagées.** La réparation des batteries ne doit être effectuée que par le fabricant ou par un fournisseur de service après-vente agréé.
3. **Suivez les instructions de lubrification et de remplacement des accessoires.**

4. **Ne modifiez pas ou n'essayez pas de réparer l'appareil ou la batterie autrement que tel qu'indiqué dans les instructions d'utilisation et d'entretien.**

Consignes de sécurité pour scie sauteuse sans fil

1. **Tenez l'outil électrique par ses surfaces de prise isolées pendant toute utilisation où l'accessoire de coupe pourrait venir en contact avec un câblage dissimulé.** En cas de contact de l'accessoire de coupe avec un fil sous tension, les pièces métalliques à découvert de l'outil électrique pourraient se mettre sous tension et transmettre une décharge électrique à l'utilisateur.
2. **Utilisez des dispositifs de serrage ou un autre moyen pratique pour fixer et soutenir la pièce sur une surface de travail stable.** La pièce sera instable et vous risquerez d'en perdre la maîtrise si vous la tenez avec une main ou l'appuyez simplement contre une partie du corps.
3. **Portez toujours des lunettes de sécurité ou des lunettes à coques.** Les lunettes ordinaires et les lunettes de soleil NE sont PAS des lunettes de sécurité.
4. **Évitez les clous.** Avant de commencer le travail, vérifiez la pièce pour en retirer tous les clous.
5. **Ne sciez pas de pièces dont la taille dépasse la capacité de coupe de la scie.**
6. **Avant de commencer la coupe, assurez-vous qu'il y a suffisamment d'espace autour de la pièce pour que la lame de scie sauteuse ne heurte pas le plancher, l'établi, etc.**
7. **Tenez l'outil fermement.**
8. **Avant d'allumer l'outil, assurez-vous que la lame de scie sauteuse ne touche pas la pièce.**
9. **Gardez vos mains éloignées des pièces mobiles.**
10. **Ne quittez pas l'outil pendant qu'il tourne. N'utilisez l'outil qu'une fois que vous l'avez bien en main.**
11. **Avant de retirer la lame de scie sauteuse de la pièce, coupez toujours le contact et attendez l'arrêt complet de la lame de scie sauteuse.**
12. **Ne touchez ni la lame de scie sauteuse ni la pièce immédiatement après la coupe; elles risquent d'être extrêmement chaudes et de vous brûler la peau.**
13. **Ne faites pas tourner inutilement l'outil à vide.**
14. **Certains matériaux contiennent des produits chimiques qui peuvent être toxiques. Prenez les précautions nécessaires pour éviter l'inhalation des poussières et le contact avec la peau. Respectez les consignes de sécurité du fournisseur du matériau.**
15. **Utilisez toujours un masque antipoussières ou un masque filtrant approprié au matériau à travailler et à l'application utilisée.**

CONSERVEZ CE MODE D'EMPLOI.

⚠ MISE EN GARDE : NE VOUS LAISSEZ PAS tromper (au fil d'une utilisation répétée) par un sentiment d'aisance ou de familiarité avec le produit en négligeant les consignes de sécurité qui accompagnent le produit. L'UTILISATION INCORRECTE ou l'ignorance des consignes de sécurité du présent manuel d'instructions comporte un risque de blessure grave.

Symboles

Les symboles utilisés pour l'outil sont indiqués ci-dessous.

V	volts
— — —	courant continu
n _o	vitesse à vide
... /min r /min	tours ou alternances par minute

Consignes de sécurité importantes pour la batterie

1. Avant d'utiliser la batterie, lisez toutes les instructions et les mises en garde apposées sur (1) le chargeur de batterie, (2) la batterie et (3) le produit utilisant la batterie.
2. Ne démontez pas et ne modifiez pas la batterie. Cela peut entraîner un incendie, une chaleur excessive ou une explosion.
3. Cessez immédiatement l'utilisation si le temps de fonctionnement devient excessivement court. Il y a un risque de surchauffe, de brûlures, voire d'explosion.
4. Si l'électrolyte pénètre dans vos yeux, rincez-les à l'eau claire et consultez immédiatement un médecin. Il y a un risque de perte de la vue.
5. Ne court-circuitez pas la batterie :
 - (1) Ne touchez les bornes avec aucun matériau conducteur.
 - (2) Évitez de ranger la batterie dans un conteneur avec d'autres objets métalliques tels que clous, pièces de monnaie, etc.
 - (3) Évitez d'exposer la batterie à l'eau ou à la pluie.

Un court-circuit de la batterie pourrait provoquer un fort courant, une surchauffe, parfois des brûlures et même une panne.

6. Ne rangez pas et n'utilisez pas l'outil ou la batterie dans des emplacements où la température peut atteindre ou dépasser 50 °C (122 °F).
7. Ne jetez pas la batterie au feu même si elle est sérieusement endommagée ou complètement épuisée. La batterie peut exploser au contact du feu.

8. Évitez de clouer, de couper, d'écraser, de lancer ou d'échapper la batterie, ou de heurter un objet dur contre la batterie. Cela peut entraîner un incendie, une chaleur excessive ou une explosion.
9. N'utilisez pas une batterie si elle est endommagée.
10. Les batteries lithium-ion fournies sont soumises aux exigences de la législation sur les marchandises dangereuses. Des exigences particulières sur l'emballage et l'étiquetage doivent être respectées lors du transport commercial par des tiers, des transitaires, etc. Pour préparer la marchandise à expédier, consultez un expert en matériaux dangereux si nécessaire. Respectez aussi les éventuelles réglementations nationales plus détaillées. Recouvrez de ruban isolant les contacts exposés, et emballez la batterie de sorte qu'elle ne puisse pas se déplacer à l'intérieur de l'emballage.
11. Lors de l'élimination de la batterie, retirez-la de l'outil et éliminez-la dans un endroit sûr. Respectez la réglementation locale concernant l'élimination de la batterie.
12. N'utilisez les batteries qu'avec les produits spécifiés par Makita. Installer les batteries sur des produits non conformes peut entraîner un incendie, une chaleur excessive, une explosion ou une fuite d'électrolyte.
13. Si l'outil reste inutilisé pour une période prolongée, la batterie doit en être retirée.
14. Pendant et après l'utilisation, la batterie peut accumuler de la chaleur, ce qui peut causer des brûlures ou des brûlures à basse température. Faites attention lors de la manipulation des batteries chaudes.
15. Ne touchez pas la borne de l'outil immédiatement après l'utilisation, car elle peut être assez chaude pour causer des brûlures.
16. Ne laissez pas les copeaux, les poussières ou la terre se coincer dans les bornes, les trous et les rainures de la batterie. Cela pourrait causer un réchauffement, un incendie, un éclatement et une défaillance de l'outil ou de la batterie et entraîner des brûlures ou des blessures corporelles.
17. À moins que l'outil ne soit compatible avec l'utilisation à proximité des lignes électriques haute tension, n'utilisez pas la batterie à proximité d'une ligne électrique haute tension. Cela peut entraîner un dysfonctionnement ou une panne de l'outil ou de la batterie.
18. Gardez la batterie à l'écart des enfants.

CONSERVEZ CES INSTRUCTIONS.

⚠ ATTENTION : Utilisez exclusivement les batteries fabriquées par Makita. Les batteries autres que celles fabriquées par Makita ou les batteries modifiées peuvent exploser et causer un incendie, une blessure ou des dommages. Cela annule aussi la garantie Makita de l'outil et du chargeur Makita.

Conseils pour maintenir la durée de service maximale de la batterie

1. Rechargez la batterie avant qu'elle ne soit complètement déchargée. Arrêtez toujours l'outil et rechargez la batterie quand vous remarquez que la puissance de l'outil diminue.
2. Ne rechargez jamais une batterie complètement chargée. La surcharge réduit la durée de service de la batterie.
3. Chargez la batterie à une température ambiante comprise entre 10 °C et 40 °C (50 °F et 104 °F). Si la batterie est chaude, laissez-la refroidir avant de la charger.
4. Lorsque vous n'utilisez pas la batterie, retirez-la de l'outil ou du chargeur.
5. Chargez la batterie si elle est restée inutilisée pendant une période prolongée (plus de six mois).

DESCRIPTION DU FONCTIONNEMENT

ATTENTION : Assurez-vous toujours que l'outil est éteint et que sa batterie est retirée avant de l'ajuster ou de vérifier son fonctionnement.

Installation ou retrait de la batterie

ATTENTION : Éteignez toujours l'outil avant d'installer ou de retirer la batterie.

ATTENTION : Tenez fermement l'outil et la batterie lors de l'installation ou du retrait de cette dernière. Si l'outil et la batterie ne sont pas tenus fermement, ils risquent de vous glisser des mains et de subir des dommages, ou encore de vous blesser.

Pour installer la batterie, alignez sa languette sur la rainure pratiquée dans le boîtier et glissez la batterie en place. Insérez-la à fond jusqu'à ce que vous entendiez un léger dé clic. Si vous pouvez voir l'indicateur rouge tel qu'illustré sur la figure, cela signifie qu'elle n'est pas complètement verrouillée.

Pour retirer la batterie, faites-la glisser hors de l'outil tout en glissant le bouton qui se trouve à l'avant.

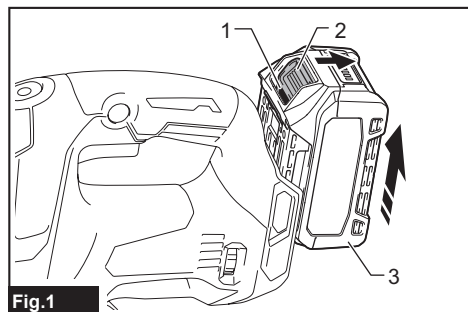


Fig.1
► 1. Indicateur rouge 2. Bouton 3. Batterie

ATTENTION : Installez toujours la batterie à fond jusqu'à ce que vous ne puissiez plus voir l'indicateur rouge. Autrement elle risque de tomber accidentellement de l'outil et d'entraîner des blessures.

ATTENTION : Ne forcez pas sur la batterie pour l'installer. Si la batterie ne glisse pas facilement, c'est qu'elle n'est pas insérée correctement.

Affichage de la charge restante de la batterie

Appuyez sur le bouton de vérification de la batterie pour afficher la charge restante de la batterie. Les témoins indicateurs s'allument pendant quelques secondes.

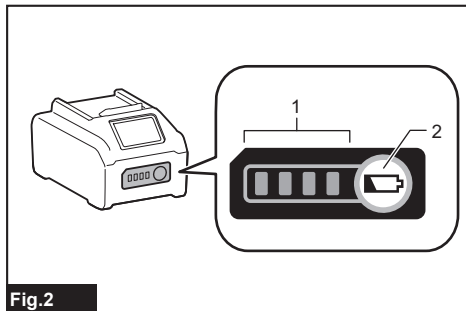


Fig.2

► 1. Témoins indicateurs 2. Bouton de vérification

Témoins indicateurs			Charge restante
Allumé	Éteint	Clignotant	
■ ■ ■ ■	□ □ □ □	□ □ □ □	75 % à 100 %
■ ■ ■ □	□ □ □ □	□ □ □ □	50 % à 75 %
■ ■ □ □	□ □ □ □	□ □ □ □	25 % à 50 %
■ □ □ □	□ □ □ □	□ □ □ □	0 % à 25 %
▬ □ □ □	□ □ □ □	□ □ □ □	Chargez la batterie.
■ ■ □ □	□ □ □ □	□ □ □ □	La batterie a peut-être mal fonctionné.
□ □ □ □	■ ■ ■ ■	□ □ □ □	

NOTE : Suivant les conditions d'utilisation et la température ambiante, il se peut que l'indication soit légèrement différente de la charge réelle.

NOTE : La première lampe témoin (à l'extrémité gauche) clignote lorsque le dispositif de protection de la batterie s'active.

Dispositif de protection de l'outil et de la batterie

L'outil est équipé d'un système de protection d'outil/batterie. Ce système coupe automatiquement l'alimentation du moteur pour augmenter la durée de vie de l'outil et de la batterie. L'outil s'arrête automatiquement pendant l'utilisation lorsque l'outil ou la batterie est dans l'une des situations suivantes :

Protection contre la surcharge

Lorsque la batterie est utilisée d'une façon qui lui fait consommer un courant anormalement élevé, l'outil s'arrête automatiquement, sans aucune indication. Dans ce cas, éteignez l'outil et arrêtez l'application qui a causé la surcharge de l'outil. Rallumez ensuite l'outil pour redémarrer.

Protection contre la surchauffe

Lorsque l'outil ou la batterie surchauffe, l'outil s'arrête automatiquement et la lampe clignote. Le cas échéant, laissez refroidir l'outil et la batterie avant de rallumer l'outil.

Protection contre la décharge excessive

Lorsque la charge de la batterie est insuffisante, l'outil s'arrête automatiquement. Dans ce cas, retirez la batterie de l'outil et chargez la batterie.

Protections contre d'autres causes

Le dispositif de protection est aussi conçu pour d'autres causes qui pourraient endommager l'outil et permet d'arrêter automatiquement l'outil. Prenez toutes les mesures suivantes pour éliminer les causes lorsque le fonctionnement de l'outil a été interrompu temporairement ou arrêté.

1. Éteignez l'outil et remettez-le de nouveau en marche.
2. Chargez la/les batterie(s) ou remplacez-la/les par une/des batteries rechargée(s).
3. Laissez l'outil et la/les batteries se refroidir.

Si la situation ne s'améliore pas en restaurant le dispositif de protection, contactez votre centre de service Makita local.

Sélection du mode de coupe

Cet outil peut être utilisé en mode de coupe orbitale ou rectiligne (haut et bas). Le mode de coupe orbitale pousse la lame de scie sauteuse vers l'avant et accélère la vitesse de coupe.

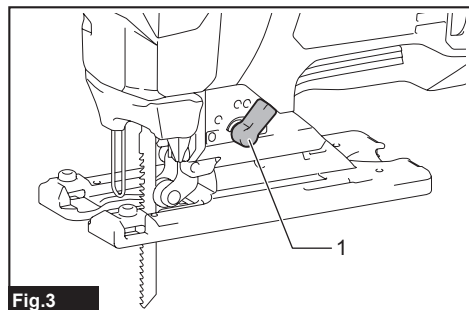


Fig.3

► 1. Levier de changement de mode de coupe

Pour changer de mode de coupe, tournez le levier de changement de mode de coupe sur la position de mode de coupe désirée. Reportez-vous au tableau pour sélectionner le mode de coupe approprié.

Position	Mode de coupe	Applications
0	Mode de coupe rectiligne	Pour couper l'acier doux, l'acier inoxydable et les plastiques. Pour des coupes nettes dans le bois et le contreplaqué.
I	Mode de coupe à petite orbite	Pour couper l'acier doux, l'aluminium et le bois dur.
II	Mode de coupe à orbite moyenne	Pour couper le bois et le contreplaqué. Pour couper rapidement l'aluminium et l'acier doux.
III	Mode de coupe à grande orbite	Pour couper rapidement le bois et le contreplaqué.

Interrupteur

⚠ ATTENTION : Avant d'insérer la batterie dans l'outil, vérifiez toujours que la gâchette fonctionne bien et revient en position d'arrêt lorsque libérée.

Pour mettre l'outil en marche, appuyez sur l'interrupteur de blocage. L'outil passe en mode d'attente. Pour faire démarrer l'outil, appuyez sur la gâchette en mode d'attente. La vitesse de l'outil augmente à mesure que vous augmentez la pression sur la gâchette. Pour arrêter l'outil, relâchez la gâchette. L'outil passe en mode d'attente. Pour éteindre l'outil, appuyez sur l'interrupteur de blocage en mode d'attente. Pour un fonctionnement en continu, appuyez sur la gâchette en mode d'attente, puis enfoncez le bouton de blocage. Pour arrêter l'outil, appuyez à fond sur la gâchette puis libérez-la.

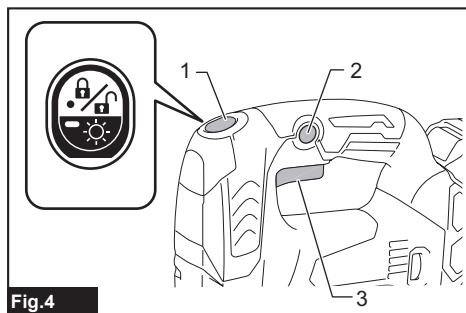


Fig.4

► 1. Interrupteur de blocage 2. Bouton de blocage 3. Gâchette

NOTE : Si aucune commande n'est effectuée sur l'outil pendant 10 secondes en mode d'attente, le contact est coupé automatiquement et la lampe s'éteint.

NOTE : L'interrupteur de blocage n'est pas disponible pendant que l'outil effectue le travail.

Allumage de la lampe avant

⚠ ATTENTION : Évitez de regarder directement le faisceau lumineux ou sa source.

Pour allumer la lampe, appuyez sur l'interrupteur de blocage. Appuyez de nouveau sur l'interrupteur de blocage pour éteindre la lampe.

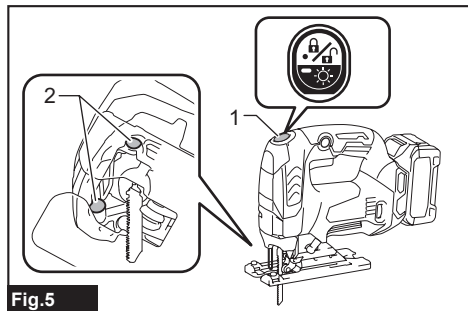


Fig.5

► 1. Interrupteur de blocage 2. Lampe

Il y a trois niveaux de luminosité. Pour diminuer l'intensité lumineuse de la lampe, maintenez enfoncé l'interrupteur de blocage lors de la mise en marche de l'outil. Une seconde environ après avoir appuyé et maintenu enfoncé l'interrupteur de blocage, l'intensité lumineuse de la lampe commencera à diminuer. L'intensité lumineuse retourne au niveau le plus élevé depuis le niveau le plus faible et réitère la diminution. Relâchez l'interrupteur de blocage lorsque vous atteignez l'intensité lumineuse souhaitée.

AVIS : Lorsque l'outil surchauffe, la lampe clignote. Laissez refroidir l'outil complètement avant de l'utiliser à nouveau.

NOTE : Appuyez et maintenez enfoncé sans le relâcher l'interrupteur de blocage pour passer entre les trois niveaux d'intensité lumineuse.

NOTE : L'intensité lumineuse de la lampe ne peut être réglée pendant que l'outil est en mode d'attente. Pour ajuster l'intensité lumineuse, éteignez l'outil, puis remettez-le en marche à nouveau.

NOTE : La lampe s'allume au même niveau de luminosité que lors de la dernière utilisation de l'outil.

NOTE : Utilisez un linge sec pour enlever les poussières sur la lentille de la lampe. Prenez garde de rayer la lentille de la lampe, car cela peut affecter son intensité d'éclairage.

Cadran de réglage de la vitesse

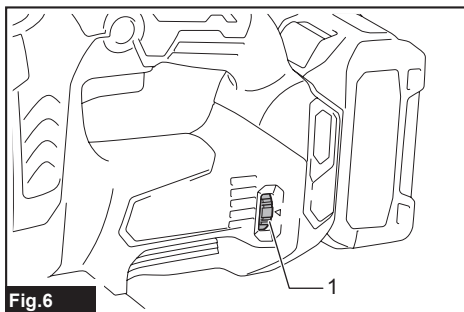


Fig.6

► 1. Cadran de réglage de la vitesse

La vitesse de l'outil peut être réglée en tournant le cadran de réglage de la vitesse. La vitesse la plus élevée est obtenue sur 6, et la vitesse la plus basse sur 1. Référez-vous au tableau pour sélectionner la vitesse qui convient à la pièce à couper. La vitesse adéquate peut toutefois varier suivant le type ou l'épaisseur de la pièce. En général, les vitesses plus élevées permettent de couper les pièces plus rapidement, mais réduisent la durée de service de la lame de scie sauteuse.

Pièce à travailler	Numéro
Bois	4 - 6
Acier doux	3 - 6
Acier inoxydable	3 - 4
Aluminium	3 - 6
Plastiques	1 - 4

AVIS : Le cadran de réglage de la vitesse ne peut pas dépasser le 6 et le 1. Ne le forcez pas à dépasser le 6 ou le 1, sinon la fonction de réglage de la vitesse risque de ne plus fonctionner.

Fonctions électroniques

L'outil est doté de fonctions électroniques qui facilitent son utilisation.

Démarrage en douceur

La fonction de démarrage en douceur atténue le choc de démarrage et fait démarrer l'outil doucement.

Commande de vitesse constante

Commande électronique de la vitesse afin d'obtenir une vitesse constante. Permet d'obtenir une finition précise puisque la vitesse de rotation est maintenue constante même dans des conditions de charge.

Rotation sans charge en douceur

Lorsque le cadran de réglage de la vitesse est sur « 3 » ou un numéro plus élevé, l'outil réduit automatiquement sa vitesse de fonctionnement à vide pour atténuer les vibrations et aligner la lame de scie sauteuse avec la ligne de coupe aisément. Une fois que l'outil commence à couper la pièce à travailler, la vitesse de l'outil augmente et atteint la vitesse préétablie.

NOTE : Lorsque la température est basse, cette fonction pourrait ne pas être disponible. Cette fonction pourrait également ne pas être disponible selon le type de matériau.

NOTE : Cette fonction ne fonctionnera pas si la gâchette n'est pas enfoncée suffisamment pour augmenter la vitesse, même si le cadran de réglage de la vitesse est réglé à « 3 » ou plus.

NOTE : Si la vitesse ne diminue pas après avoir coupé la pièce à travailler, arrêtez l'outil, puis remettez-le en marche.

Désactivation ou activation de la fonction de rotation sans charge en douceur

Pour désactiver ou activer la fonction de rotation sans charge en douceur, suivez les étapes ci-dessous.

1. Assurez-vous que l'outil est éteint.
2. Réglez le cadran de réglage de la vitesse sur « 1 ».
3. Pour mettre l'outil en marche, appuyez sur l'interrupteur de blocage.
4. Tournez le cadran de réglage de la vitesse à « 6 », puis remettez-le à « 1 ».

La lampe clignote deux fois pour indiquer quand la fonction de rotation sans charge en douceur est désactivée ou activée. Pour activer ou désactiver cette fonction, effectuez de nouveau la même procédure.

NOTE : Si la fonction de rotation sans charge en douceur est désactivée, la lampe clignote deux fois lorsque vous allumez l'outil.

NOTE : Vous pouvez également désactiver ou activer la fonction de rotation sans charge en douceur en déplaçant le cadran de réglage de la vitesse de « 6 » à « 1 » à « 6 ».

Frein électrique

Cet outil est muni d'un frein électrique. Si la libération du levier de la gâchette ne permet jamais d'arrêter promptement l'outil, faites-le réparer dans un centre de service après-vente Makita.

ASSEMBLAGE

⚠ ATTENTION : Assurez-vous toujours que l'outil est éteint et que sa batterie est retirée avant d'effectuer tout travail dessus.

Pose ou retrait de la lame de scie sauteuse

⚠ ATTENTION : Nettoyez toujours la lame de scie sauteuse et/ou le porte-lame de tous les copeaux ou corps étrangers qui y adhèrent. Autrement, il y a risque de serrage insuffisant de la lame de scie sauteuse, ce qui peut entraîner une grave blessure.

⚠ ATTENTION : Ne touchez ni la lame de scie sauteuse ni la pièce immédiatement après la coupe. Elles risquent d'être extrêmement chaudes et de vous brûler la peau.

⚠ ATTENTION : Fixez toujours la lame de scie sauteuse fermement. Un serrage insuffisant de la lame de scie sauteuse peut entraîner la rupture de la lame ou une grave blessure.

⚠ ATTENTION : Lorsque vous retirez la lame de scie sauteuse, prenez garde de vous blesser les doigts avec le dessus de la lame de scie sauteuse ou avec les bouts de pièce.

Avant de poser la lame de scie sauteuse, assurez-vous que le levier de serrage de lame de scie sauteuse est en position libérée.

Pour poser la lame de scie sauteuse, insérez-la (avec les dents vers l'avant) dans le porte-lame de scie sauteuse jusqu'à ce qu'elle se verrouille. Le levier de serrage de lame de scie sauteuse se déplace par lui-même sur la position fixée et la lame de scie sauteuse se verrouille. Assurez-vous que le bord arrière de la lame de scie sauteuse pénètre dans la roulette. Tirez légèrement sur la lame de scie sauteuse pour vous assurer qu'elle ne risque pas de tomber pendant l'utilisation.

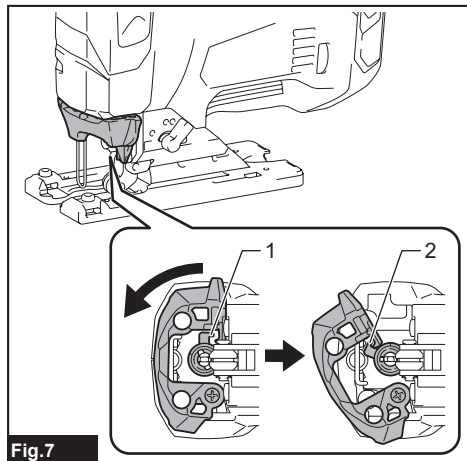


Fig. 7

- ▶ 1. Levier de serrage de lame de scie sauteuse (position fixée) 2. Levier de serrage de lame de scie sauteuse (position libérée)

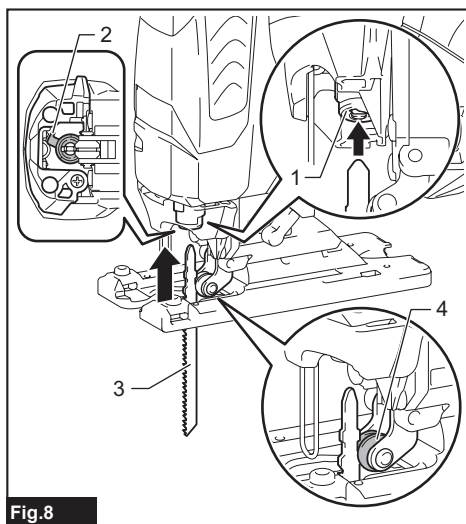


Fig.8

- 1. Porte-lame de scie sauteuse 2. Levier de serrage de lame de scie sauteuse (position libérée) 3. Lame de scie sauteuse 4. Roulette

ATTENTION : N'ouvrez pas le dispositif d'ouverture de l'outil de façon excessive sinon l'outil pourrait être endommagé.

Pour retirer la lame de scie sauteuse, ouvrez le dispositif d'ouverture de l'outil le plus loin possible vers l'avant. Cela permet de libérer la lame de scie sauteuse.

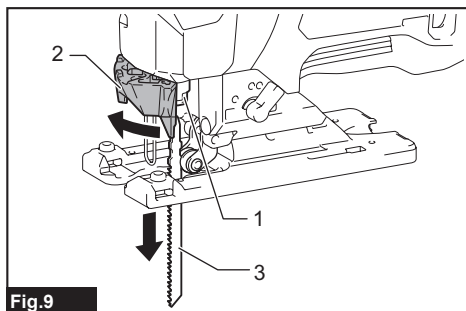


Fig.9

- 1. Porte-lame de scie sauteuse 2. Dispositif d'ouverture de l'outil 3. Lame de scie sauteuse

NOTE : Dans l'éventualité où il serait difficile de retirer la lame de scie sauteuse :

Tournez le levier de changement de mode de coupe à la position « III » et mettez l'outil en marche brièvement à plusieurs reprises de façon à ce que le porte-lame de scie sauteuse se déplace à la base.

Assurez-vous que le levier de serrage de lame de scie sauteuse est dans la position fixée lors de la mise en marche de l'outil.

Retirez la batterie de l'outil avant d'installer ou de retirer la lame de scie sauteuse.

NOTE : Graissez de temps à autre la roulette.

Rangement de la clé hexagonale

Lorsque vous n'utilisez pas la clé hexagonale, rangez-la de la façon indiquée sur l'illustration pour éviter de l'égarer.

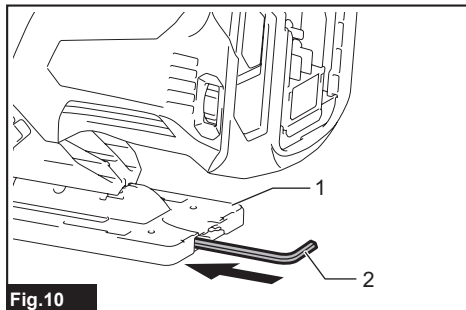


Fig.10

- 1. Base 2. Clé hexagonale

Couvercle

Utilisez le couvercle lors de la découpe de placages décoratifs, de plastiques, etc. Il protège les surfaces sensibles ou délicates des dommages. Installez-le sur la partie inférieure de la base de l'outil.

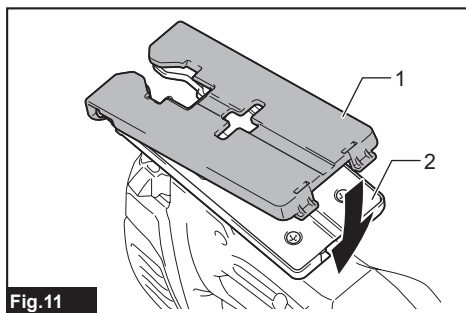


Fig.11

- 1. Couvercle 2. Base

Pare-éclats

⚠ ATTENTION : Il n'est pas possible d'utiliser le pare-éclats lors de l'exécution de coupes en biseau.

Pour obtenir des coupes sans éclats, vous pouvez utiliser le pare-éclats. Pour poser le pare-éclats, déplacez la base de l'outil complètement vers l'avant et installez le pare-éclats par la partie inférieure de la base de l'outil.

Lorsque vous utilisez le couvercle, installez le pare-éclats sur le couvercle.

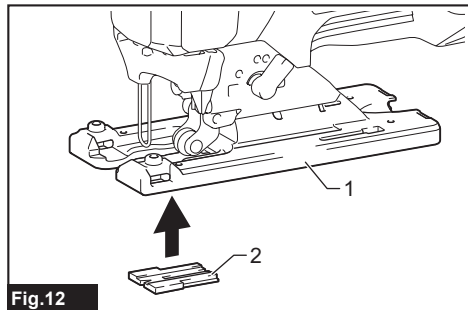


Fig.12

► 1. Base 2. Pare-éclats

Aspiration des poussières

Accessoire en option

Le raccord à poussières est recommandé pour effectuer des opérations de coupe propres.

Pour fixer le raccord à poussières à l'outil, insérez le crochet du raccord à poussières dans le trou se trouvant sur la base.

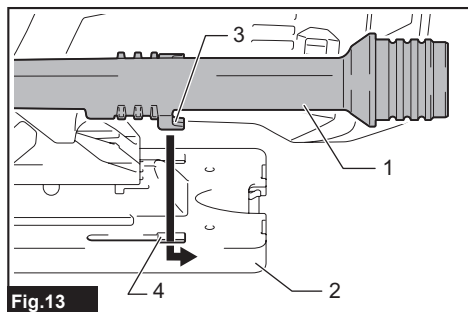


Fig.13

► 1. Raccord à poussières 2. Base 3. Crochet 4. Trou

Pour fixer solidement le raccord à poussières, serrez la vis de serrage à l'avant du raccord à poussières. Le raccord à poussières peut être posé du côté gauche ou droit de la base.

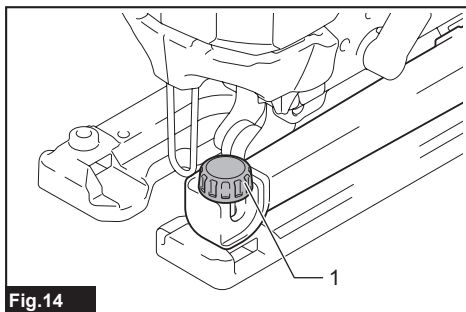


Fig.14

► 1. Vis de serrage

Raccordez ensuite un aspirateur Makita au raccord à poussières.

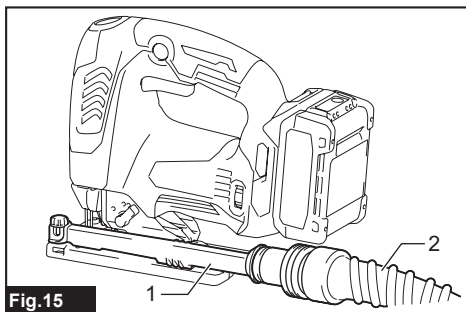


Fig.15

► 1. Raccord à poussières 2. Tuyau pour aspirateur

UTILISATION

⚠ ATTENTION : Maintenez toujours la base au ras de la pièce. Autrement la lame de scie sauteuse risque de casser, entraînant une grave blessure.

⚠ ATTENTION : Faites avancer la lame très lentement lorsque vous coupez des formes arrondies ou chantournez. Forcer l'outil peut causer une surface de coupe inclinée et la rupture de la lame de scie sauteuse.

Allumez l'outil alors que la lame de scie sauteuse ne touche rien, et attendez que la lame de scie sauteuse atteigne sa pleine vitesse. Déposez ensuite la base à plat sur la pièce, et déplacez doucement l'outil vers l'avant le long de la ligne de coupe tracée précédemment.

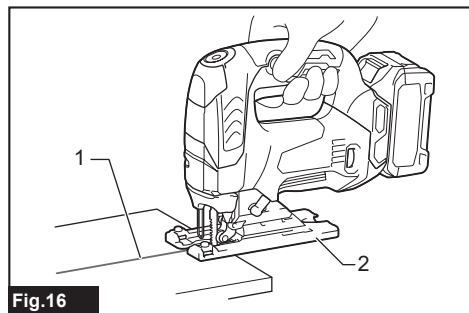


Fig.16

► 1. Ligne de coupe 2. Base

Coupe en biseau

⚠ ATTENTION : Avant d'incliner la base, assurez-vous toujours que l'outil est éteint et que la batterie est retirée.

Avec la base inclinée, vous pouvez effectuer des coupes en biseau sur tout angle compris entre 0° et 45° (à gauche ou à droite).

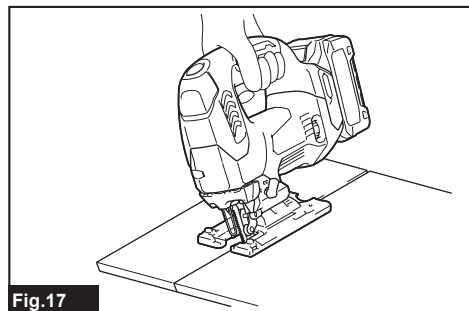


Fig.17

Pour incliner la base, desserrez le boulon sur la partie inférieure de la base à l'aide de la clé hexagonale. Déplacez la base de sorte que le boulon se trouve au centre de la fente biseautée de la base.

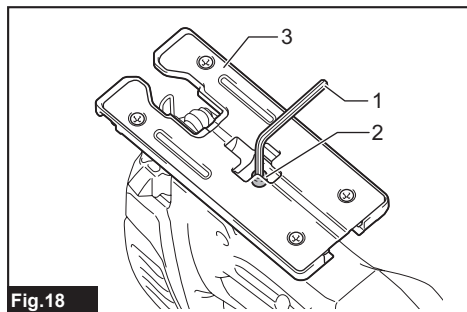


Fig.18

► 1. Clé hexagonale 2. Boulon 3. Base

Inclinez la base jusqu'à ce que vous obteniez l'angle de biseau désiré. L'entaille en V du boîtier d'engrenage indique l'angle de biseau au moyen de graduations. Serrez ensuite fermement le boulon pour fixer la base.

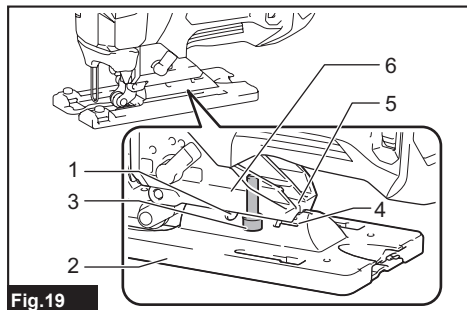


Fig.19

► 1. Fente biseautée 2. Base 3. Boulon
4. Graduations 5. Entaille en V 6. Boîtier d'engrenage

NOTE : Lors de la réalisation de coupes en biseau avec dispositif d'aspiration des poussières, posez le dispositif d'aspiration des poussières du côté opposé au biseau. Si le dispositif d'aspiration des poussières est installé du même côté que le biseau, réinstallez toujours le dispositif d'aspiration des poussières du côté opposé.

Coupes à ras frontales

Desserrez le boulon sur la partie inférieure de la base à l'aide de la clé hexagonale, et glissez la base complètement vers l'arrière. Serrez ensuite le boulon pour fixer la base.

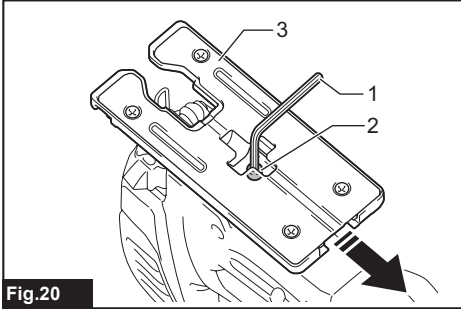


Fig.20

► 1. Clé hexagonale 2. Boulon 3. Base

Découpages

Deux méthodes sont possibles pour les découpages : « perçage d'un trou de départ » et « coupe en plongée ».

Perçage d'un trou de départ

Pour les découpages internes sans coupe d'introduction depuis le bord de la pièce, percez à l'avance un trou de départ d'un diamètre de 12 mm (15/32") ou plus. Insérez la lame de scie sauteuse dans ce trou pour commencer la coupe.

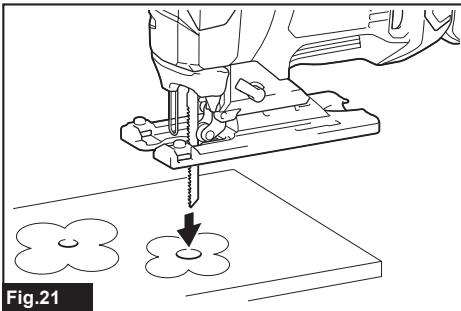


Fig.21

Coupe en plongée

Vous n'aurez pas à percer un trou de départ ou à pratiquer une coupe d'introduction si vous procédez soigneusement comme suit.

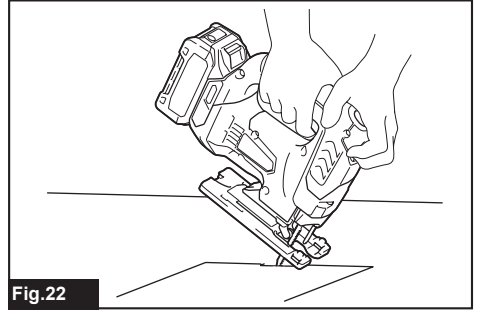


Fig.22

1. Inclinez l'outil vers le bord avant de la base, avec la pointe de la lame de scie sauteuse placée juste au-dessus de la surface de la pièce.
2. Appliquez une pression sur l'outil de sorte que le bord avant de la base ne bouge pas lorsque vous allumez l'outil, et abaissez délicatement et lentement l'extrémité arrière de l'outil.
3. Au moment où la lame de scie sauteuse perce la pièce, abaissez lentement la base de l'outil sur la surface de la pièce.
4. Achevez la coupe comme d'ordinaire.

Finition des bords

Pour le rognage ou pour ajuster les dimensions, passez légèrement la lame de scie sauteuse le long des bords coupés.

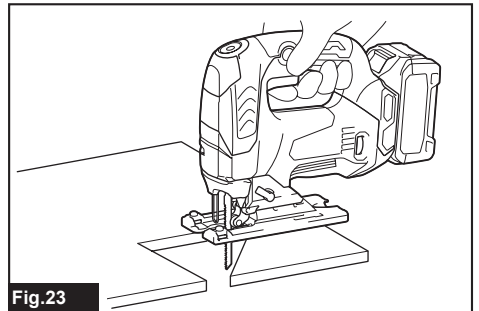


Fig.23

Coupe du métal

Utilisez toujours un fluide de refroidissement (huile de coupe) adéquat lors de la coupe du métal. Autrement cela causera une usure considérable de la lame de scie sauteuse. Il est aussi possible de graisser la face inférieure de la pièce au lieu d'utiliser un fluide de refroidissement.

Garde parallèle

Accessoire en option

ATTENTION : Avant d'installer ou de retirer des accessoires, assurez-vous toujours que l'outil est éteint et que la batterie est retirée.

Coupes rectilignes

Lors des coupes répétées d'une largeur de 160 mm (6-5/16") ou moins, l'utilisation du garde parallèle assurera l'exécution de coupes rapides, propres et rectilignes.

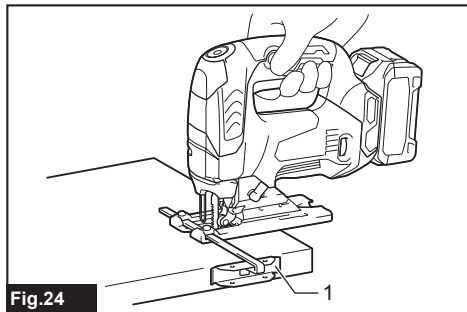


Fig.24

► 1. Garde parallèle (règle de guidage)

Pour poser le garde parallèle, insérez-le dans le trou rectangulaire sur le côté de la base, en orientant le garde vers le bas. Glissez le garde parallèle jusqu'à la position de la largeur de coupe désirée, puis serrez le boulon pour fixer le guide longitudinal.

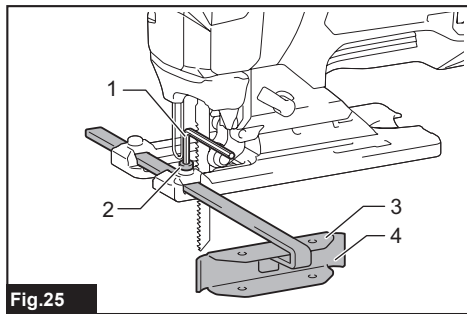


Fig.25

► 1. Clé hexagonale 2. Boulon 3. Garde 4. Garde parallèle (règle de guidage)

Coupes circulaires

Pour couper des cercles ou arcs d'un rayon de 170 mm (6-11/16") ou moins, posez le garde parallèle comme suit.

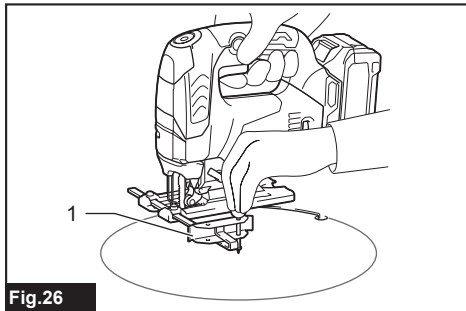


Fig.26

► 1. Garde parallèle (règle de guidage)

ATTENTION : Ne touchez pas le bout de la broche de guide circulaire. Le bout coupant de la broche de guide circulaire peut causer des blessures.

1. Insérez le garde parallèle dans le trou rectangulaire sur le côté de la base, en orientant le garde vers le haut.
2. Insérez la broche du guide circulaire dans l'un ou l'autre des deux trous du garde. Vissez le bouton fileté sur la broche de guide circulaire pour fixer cette dernière.

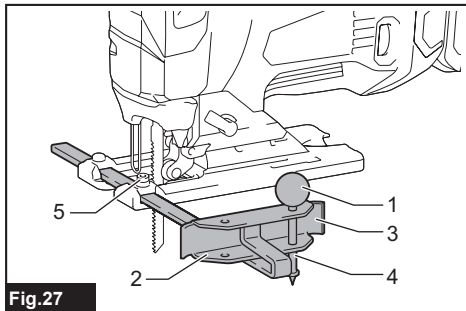


Fig.27

► 1. Boulon fileté 2. Garde 3. Garde parallèle (règle de guidage) 4. Broche de guide circulaire 5. Boulon

3. Glissez le garde parallèle jusqu'au rayon de coupe désiré, puis serrez le boulon pour fixer le garde parallèle sur cette position.

NOTE : Pour couper des cercles ou des arcs, utilisez toujours des lames de scie sauteuse N° B-17, B-18, B-26 ou B-27.

Ensemble d'adaptateur de rail-guide

Accessoire en option

Lors de l'exécution de coupes parallèles et de largeur uniforme ou de coupes rectilignes, l'utilisation du rail-guide et de l'adaptateur de rail-guide assurera la réalisation de coupes rapides et propres. Pour poser l'adaptateur de rail-guide, insérez la barre graduée à fond dans le trou rectangulaire sur le côté de la base. Fixez fermement le boulon à l'aide de la clé hexagonale.

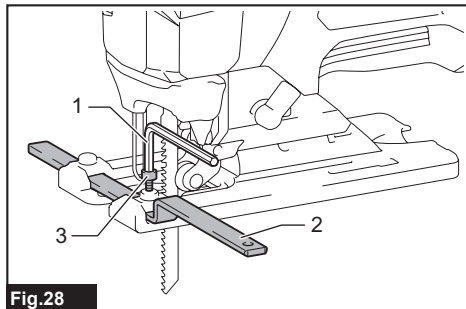


Fig.28

► 1. Clé hexagonale 2. Barre graduée 3. Boulon

Insérez la barre graduée dans l'orifice carré de l'adaptateur de rail-guide, et fixez la vis fermement. Mettez l'adaptateur de rail-guide sur le rail-guide.

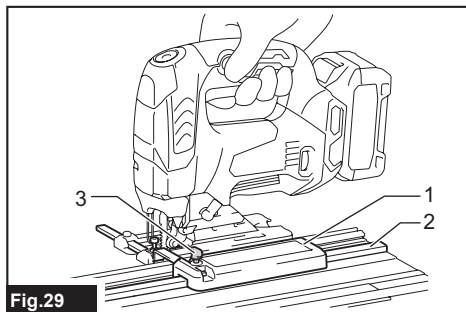


Fig.29

► 1. Adaptateur de rail-guide 2. Rail-guide 3. Vis

AVIS : Lorsque vous utilisez le rail-guide et l'adaptateur de rail-guide, faites-le toujours avec des lames de scie sauteuse N° B-8, B-13, B-16, B-17 ou 58.

ENTRETIEN

ATTENTION : Assurez-vous toujours que l'outil est hors tension et que la batterie est retirée avant d'y effectuer tout travail d'inspection ou d'entretien.

AVIS : N'utilisez jamais d'essence, de benzine, de solvant, d'alcool ou autres produits similaires. Une décoloration, une déformation ou la formation de fissures peuvent en découler.

Pour maintenir la SÉCURITÉ et la FIABILITÉ du produit, les réparations et tout autre travail d'entretien ou de réglage doivent être effectués dans un centre de service après-vente autorisé ou une usine Makita, exclusivement avec des pièces de rechange Makita.

ACCESSOIRES EN OPTION

ATTENTION : Ces accessoires ou pièces complémentaires sont recommandés pour l'utilisation avec l'outil Makita spécifié dans ce manuel. L'utilisation de tout autre accessoire ou pièce complémentaire peut comporter un risque de blessure. N'utilisez les accessoires ou pièces complémentaires qu'aux fins auxquelles ils ont été conçus.

Si vous désirez obtenir plus de détails sur ces accessoires, veuillez contacter le centre de service après-vente Makita le plus près.

- Lames de scie sauteuse
- Clé hexagonale 4
- Ensemble de garde parallèle (règle de guidage)
- Ensemble d'adaptateur de rail-guide
- Ensemble de rails de guidage
- Pare-éclats
- Couverture
- Ensemble de raccord à poussières
- Chargeur et batterie authentiques Makita

NOTE : Certains éléments de la liste peuvent être inclus avec l'outil comme accessoires standards. Ils peuvent varier suivant les pays.

GARANTIE LIMITÉE MAKITA

Pour les conditions de garantie en vigueur qui s'appliquent à ce produit, veuillez vous reporter à la feuille de garantie en annexe. Si la feuille de garantie en annexe n'est pas disponible, reportez-vous aux détails de la garantie présentés sur le site Web de votre pays, ci-dessous.

États-Unis d'Amérique: www.makitatools.com

Canada: www.makita.ca

Autres pays: www.makita.com

ESPECIFICACIONES

Modelo:	JV002G	
Extensión de la carrera	26 mm (1")	
Carreras por minuto	0 cpm - 3 500 cpm	
Tipo de cuchilla	Tipo B	
Capacidad máx. de corte	Madera	135 mm (5-5/16")
	Acero suave	10 mm (3/8")
	Aluminio	20 mm (13/16")
Longitud total (con BL4025)	272 mm (10-3/4")	
Tensión nominal	36 V - 40 V c.c. máx.	
Peso neto	2,7 kg - 3,0 kg (6,0 lbs - 6,6 lbs)	

- Debido a nuestro continuo programa de investigación y desarrollo, las especificaciones aquí incluidas están sujetas a cambio sin previo aviso.
- Las especificaciones pueden variar de país a país.
- El peso puede variar en función de los accesorios, incluido el cartucho de batería. En la tabla se muestra la combinación de peso más ligero y más pesado conforme al procedimiento 01/2014 de EPTA.

Cartucho de batería y cargador aplicables

Cartucho de batería	BL4020 / BL4025 / BL4040 / BL4040F
Cargador	DC40RA / DC40RB / DC40RC

- Algunos de los cartuchos de batería y cargadores enumerados arriba podrían no estar disponibles dependiendo de su área de residencia.

⚠ADVERTENCIA: Use únicamente los cartuchos de batería y los cargadores indicados arriba. El uso de cualquier otro cartucho de batería y cargador podría ocasionar una lesión y/o un incendio.

ADVERTENCIAS DE SEGURIDAD

Advertencias generales de seguridad para herramientas eléctricas

⚠ADVERTENCIA Lea todas las advertencias de seguridad, instrucciones, ilustraciones y especificaciones suministradas con esta herramienta eléctrica. El no seguir todas las instrucciones indicadas a continuación podrá ocasionar una descarga eléctrica, incendio o lesiones graves.

Conserve todas las advertencias e instrucciones como referencia en el futuro.

En las advertencias, el término "herramienta eléctrica" se refiere a su herramienta eléctrica de funcionamiento con conexión a la red eléctrica (con cableado eléctrico) o herramienta eléctrica de funcionamiento a batería (inalámbrica).

Seguridad en el área de trabajo

1. **Mantenga el área de trabajo limpia y bien iluminada.** Las áreas oscuras o desordenadas son propensas a accidentes.
2. **No utilice las herramientas eléctricas en atmósferas explosivas, tal como en la presencia de líquidos, gases o polvo inflamables.** Las herramientas eléctricas crean chispas que pueden prender fuego al polvo o los humos.
3. **Mantenga a los niños y curiosos alejados mientras utiliza una herramienta eléctrica.** Las distracciones le pueden hacer perder el control.

Seguridad eléctrica

1. **Las clavijas de conexión de las herramientas eléctricas deberán encajar perfectamente en la toma de corriente. No modifique nunca la clavija de conexión de ninguna forma. No utilice ninguna clavija adaptadora con herramientas eléctricas que tengan conexión a tierra (puesta a tierra).** La utilización de clavijas no modificadas y que encajen perfectamente en la toma de corriente reducirá el riesgo de que se produzca una descarga eléctrica.
2. **Evite tocar con el cuerpo superficies conectadas a tierra o puestas a tierra tales como tubos, radiadores, cocinas y refrigeradores.** Si su cuerpo es puesto a tierra o conectado a tierra existirá un mayor riesgo de que sufra una descarga eléctrica.

3. **No exponga las herramientas eléctricas a la lluvia ni a condiciones húmedas.** La entrada de agua en una herramienta eléctrica aumentará el riesgo de que se produzca una descarga eléctrica.
4. **No maltrate el cable. Nunca utilice el cable para transportar, jalar o desconectar la herramienta eléctrica.** Mantenga el cable alejado del calor, aceite, objetos cortantes o piezas móviles. Los cables dañados o enredados aumentan el riesgo de sufrir una descarga eléctrica.
5. **Cuando utilice una herramienta eléctrica en exteriores, utilice un cable de extensión apropiado para uso en exteriores.** La utilización de un cable apropiado para uso en exteriores reducirá el riesgo de que se produzca una descarga eléctrica.
6. **Si no es posible evitar usar una herramienta eléctrica en condiciones húmedas, utilice un alimentador protegido con interruptor de circuito de falla a tierra (ICFT).** El uso de un ICFT reduce el riesgo de descarga eléctrica.
7. **Las herramientas eléctricas pueden producir campos electromagnéticos (CEM) que no son dañinos para el usuario.** Sin embargo, si los usuarios tienen marcapasos y otros dispositivos médicos similares, deberán consultar al fabricante de su dispositivo y/o a su médico antes de operar esta herramienta eléctrica.
7. **Si dispone de dispositivos para la conexión de equipos de extracción y recolección de polvo, asegúrese de conectarlos y utilizarlos debidamente.** Hacer uso de la recolección de polvo puede reducir los riesgos relacionados con el polvo.
8. **No permita que la familiaridad adquirida debido al uso frecuente de las herramientas haga que se sienta confiado e ignore los principios de seguridad de las herramientas.** Un descuido podría ocasionar una lesión grave en una fracción de segundo.
9. **Utilice siempre gafas protectoras para proteger sus ojos de lesiones al usar herramientas eléctricas. Las gafas deben cumplir con la Norma ANSI Z87.1 en EUA.** Es responsabilidad del empleador imponer el uso de equipos protectores de seguridad apropiados a los operadores de la herramienta y demás personas cerca del área de trabajo.

Mantenimiento y uso de la herramienta eléctrica

Seguridad personal

1. **Manténgase alerta, preste atención a lo que está haciendo y utilice su sentido común cuando opere una herramienta eléctrica. No utilice una herramienta eléctrica cuando esté cansado o bajo la influencia de drogas, alcohol o medicamentos.** Un momento de distracción mientras opera las herramientas eléctricas puede terminar en una lesión grave.
2. **Use equipo de protección personal. Póngase siempre protección para los ojos.** El equipo protector tal como máscara contra el polvo, zapatos de seguridad antiderrapantes, casco rígido y protección para oídos utilizado en las condiciones apropiadas reducirá el riesgo de lesiones.
3. **Impida el encendido accidental. Asegúrese de que el interruptor esté en la posición de apagado antes de conectar a la alimentación eléctrica y/o de colocar el cartucho de batería, así como al levantar o cargar la herramienta.** Cargar las herramientas eléctricas con su dedo en el interruptor o enchufarlas con el interruptor encendido hace que los accidentes sean comunes.
4. **Retire cualquier llave de ajuste o llave de apriete antes de encender la herramienta.** Una llave de ajuste o llave de apriete que haya sido dejada puesta en una parte giratoria de la herramienta eléctrica puede ocasionar alguna lesión.
5. **No utilice la herramienta donde no alcance. Mantenga los pies sobre suelo firme y el equilibrio en todo momento.** Esto permite un mejor control de la herramienta eléctrica en situaciones inesperadas.
6. **Use una vestimenta apropiada. No use ropa suelta ni alhajas. Mantenga el cabello y la ropa alejados de las piezas móviles.** Las prendas de vestir holgadas, las alhajas y el cabello largo suelto podrían engancharse en estas piezas móviles.
1. **No fuerce la herramienta eléctrica. Utilice la herramienta eléctrica correcta para su aplicación.** La herramienta eléctrica adecuada hará un mejor trabajo y de forma más segura a la velocidad para la que ha sido fabricada.
2. **No utilice la herramienta eléctrica si el interruptor no la enciende y apaga.** Cualquier herramienta eléctrica que no pueda ser controlada con el interruptor es peligrosa y debe ser reemplazada.
3. **Desconecte la clavija de la fuente de alimentación y/o retire la batería de la herramienta eléctrica, en caso de ser removible, antes de realizar ajustes, cambiar accesorios o almacenar las herramientas eléctricas.** Tales medidas de seguridad preventivas reducirán el riesgo de poner en marcha la herramienta eléctrica de forma accidental.
4. **Guarde la herramienta eléctrica que no use fuera del alcance de los niños y no permita que las personas que no están familiarizadas con ella o con las instrucciones la operen.** Las herramientas eléctricas son peligrosas en manos de personas que no saben operarlas.
5. **Dé mantenimiento a las herramientas eléctricas y los accesorios. Compruebe que no haya piezas móviles desalineadas o estancadas, piezas rotas y cualquier otra condición que pueda afectar al funcionamiento de la herramienta eléctrica. Si la herramienta eléctrica está dañada, haga que la reparen antes de utilizarla.** Muchos de los accidentes son ocasionados por no dar un mantenimiento adecuado a las herramientas eléctricas.
6. **Mantenga las herramientas de corte limpias y filosas.** Si recibe un mantenimiento adecuado y tiene los bordes afilados, es probable que la herramienta se atasque menos y sea más fácil controlarla.
7. **Utilice la herramienta eléctrica, los accesorios y las brocas de acuerdo con estas instrucciones, considerando las condiciones laborales y el trabajo a realizar.** Si utiliza la herramienta eléctrica para realizar operaciones distintas de las indicadas, podrá presentarse una situación peligrosa.

8. **Mantenga los mangos y superficies de asimiento secos, limpios y libres de aceite o grasa.** Los mangos y superficies de asimiento resbalosos no permiten una manipulación segura ni el control de la herramienta en situaciones inesperadas.
9. **Cuando vaya a utilizar esta herramienta, evite usar guantes de trabajo de tela ya que éstos podrían atorarse.** Si los guantes de trabajo de tela llegan a atorarse en las piezas móviles, esto podría ocasionar lesiones personales.

Uso y cuidado de la herramienta a batería

1. **Recargue sólo con el cargador especificado por el fabricante.** Un cargador que es adecuado para un solo tipo de batería puede generar riesgo de incendio al ser utilizado con otra batería.
2. **Utilice las herramientas eléctricas solamente con las baterías designadas específicamente para ellas.** La utilización de cualquier otra batería puede crear un riesgo de lesiones o incendio.
3. **Cuando no se esté usando la batería, manténgala alejada de otros objetos metálicos, como sujetapapeles (clips), monedas, llaves, clavos, tornillos u otros objetos pequeños de metal los cuales pueden actuar creando una conexión entre las terminales de la batería.** Originar un cortocircuito en las terminales puede causar quemaduras o incendios.
4. **En condiciones abusivas, podrá escapar líquido de la batería; evite tocarlo. Si lo toca accidentalmente, enjuague con agua. Si hay contacto del líquido con los ojos, busque asistencia médica.** Puede que el líquido expulsado de la batería cause irritación o quemaduras.
5. **No utilice una herramienta ni una batería que estén dañadas o hayan sido modificadas.** Las baterías dañadas o modificadas podrían ocasionar una situación inesperada provocando un incendio, explosión o riesgo de lesiones.
6. **No exponga la herramienta ni la batería al fuego ni a una temperatura excesiva.** La exposición al fuego o a una temperatura superior a los 130 °C podría causar una explosión.
7. **Siga todas las instrucciones para la carga y evite cargar la herramienta o la batería fuera del rango de temperatura especificado en las instrucciones.** Una carga inadecuada o a una temperatura fuera del rango especificado podría dañar la batería e incrementar el riesgo de incendio.

Servicio

1. **Haga que una persona calificada repare la herramienta eléctrica utilizando sólo piezas de repuesto idénticas.** Esto asegura que se mantenga la seguridad de la herramienta eléctrica.
2. **Nunca dé servicio a baterías que estén dañadas.** El servicio a las baterías solamente deberá ser efectuado por el fabricante o un agente de servicio autorizado.
3. **Siga las instrucciones para la lubricación y cambio de accesorios.**
4. **No modifique ni intente reparar el aparato ni el paquete de baterías salvo como se indique en las instrucciones para el uso y cuidado.**

Advertencias de seguridad para la sierra caladora inalámbrica

1. **Sujete la herramienta eléctrica por las superficies de asimiento aisladas cuando realice una operación en la que el accesorio de corte pueda entrar en contacto con cableado oculto.** Si el accesorio de corte entra en contacto con un cable con corriente, las piezas metálicas expuestas de la herramienta eléctrica se cargarán también de corriente y el operador podrá recibir una descarga eléctrica.
2. **Utilice abrazaderas o algún otro modo práctico para asegurar y sujetar la pieza de trabajo a una plataforma estable.** Sostener la pieza de trabajo con la mano o contra su cuerpo produce inestabilidad y una posible pérdida de control.
3. **Use siempre gafas de seguridad o protectoras. Los anteojos comunes o para el sol NO son gafas de seguridad.**
4. **Evite cortar clavos. Revise la pieza de trabajo y quite todos los clavos antes de la operación.**
5. **No corte piezas de trabajo demasiado grandes.**
6. **Compruebe que haya espacio suficiente alrededor de la pieza de trabajo antes de cortar para que la seguenta caladora no golpee el suelo, el banco de trabajo, etc.**
7. **Sujete la herramienta firmemente.**
8. **Asegúrese de que la seguenta caladora no esté haciendo contacto con la pieza de trabajo antes de activar el interruptor.**
9. **Mantenga las manos alejadas de las piezas móviles.**
10. **No deje la herramienta funcionando. Tenga en marcha la herramienta solamente cuando la esté sosteniendo con la mano.**
11. **Siempre apague la herramienta y espere a que la seguenta caladora se haya detenido por completo antes de retirar la seguenta caladora de la pieza de trabajo.**
12. **No toque la seguenta caladora ni la pieza de trabajo inmediatamente después de la operación; podrían estar extremadamente calientes y provocarle quemaduras.**
13. **No opere la herramienta sin carga innecesariamente.**
14. **Algunos materiales contienen sustancias químicas que pueden ser tóxicas. Tome precauciones para evitar la inhalación de polvo y el contacto con la piel. Consulte la hoja de seguridad de materiales del proveedor.**
15. **Siempre utilice la máscara contra polvo/respirador indicado para el material y la aplicación con los que esté trabajando.**

GUARDE ESTAS INSTRUCCIONES.

⚠️ ADVERTENCIA: NO DEJE que la comodidad o familiaridad con el producto (a base de utilizarlo repetidamente) sustituya la estricta observancia de las normas de seguridad para dicho producto. **EL MAL USO** o el no seguir las normas de seguridad establecidas en este manual de instrucciones puede ocasionar lesiones personales graves.

Símbolos

A continuación se muestran los símbolos utilizados para la herramienta.

V	volts o voltios
— — —	corriente directa o continua
n_0	velocidad sin carga
... /min r /min	revoluciones o alternaciones por minuto, frecuencia de rotación

Instrucciones importantes de seguridad para el cartucho de batería

1. **Antes de utilizar el cartucho de batería, lea todas las instrucciones e indicaciones de precaución en el (1) el cargador de batería, (2) la batería, y (3) el producto con el que se utiliza la batería.**
2. **No desarme ni modifique el cartucho de batería.** Podría ocurrir un incendio, calor excesivo o una explosión.
3. **Si el tiempo de operación se ha acortado en exceso, deje de operar de inmediato.** Podría correrse el riesgo de sobrecalentamiento, posibles quemaduras e incluso explosión.
4. **En caso de que ingresen electrolitos en sus ojos, enjuáguelos bien con agua limpia y consulte de inmediato a un médico.** Esto podría ocasionar pérdida de visión.
5. **Evite cortocircuitar el cartucho de batería:**
 - (1) **No toque las terminales con ningún material conductor.**
 - (2) **Evite guardar el cartucho de batería en un cajón junto con otros objetos metálicos, tales como clavos, monedas, etc.**
 - (3) **No exponga el cartucho de batería al agua o la lluvia.**

Un cortocircuito en la batería puede causar un flujo grande de corriente, sobrecalentamiento, posibles quemaduras e incluso una descompostura.
6. **No guarde ni utilice la herramienta y el cartucho de batería en lugares donde la temperatura pueda alcanzar o exceder los 50 °C (122 °F).**
7. **Nunca incinere el cartucho de batería incluso en el caso de que esté dañado seriamente o ya no sirva en absoluto.** El cartucho de batería puede explotar si se tira al fuego.
8. **No clave, corte, aplaste, lance o deje caer el cartucho de batería, ni golpee un objeto sólido contra el cartucho de batería.** Dicha acción podría resultar en un incendio, calor excesivo o en una explosión.
9. **No use una batería dañada.**
10. **Las baterías de ión de litio están sujetas a los requisitos reglamentarios en materia de bienes peligrosos.**

Para el transporte comercial, por ej., mediante terceros o agentes de transporte, se deben tomar en cuenta los requisitos especiales relativos al empaque y el etiquetado.

Para efectuar los preparativos del artículo que se va a enviar, se requiere consultar a un experto en materiales peligrosos. Si es posible, consulte además otras regulaciones nacionales más detalladas.

Pegue o cubra con cinta adhesiva los contactos abiertos y empaque la batería de manera que ésta no pueda moverse dentro del paquete.
11. **Para deshacerse del cartucho de batería, sáquelo de la herramienta y deséchelo en un lugar seguro. Siga las regulaciones locales relacionadas al desecho de las baterías.**
12. **Utilice las baterías únicamente con los productos especificados por Makita.** Instalar las baterías en productos que no cumplan con los requisitos podría ocasionar un incendio, un calentamiento excesivo, una explosión o una fuga de electrolito.
13. **Si no se utiliza la herramienta por un período largo, debe extraerse la batería de la herramienta.**
14. **El cartucho de batería podría absorber calor durante y después de su uso, lo que ocasionaría quemaduras o quemaduras a baja temperatura.** Tenga cuidado con la manipulación de los cartuchos de batería que estén calientes.
15. **No toque el terminal de la herramienta inmediatamente después de su uso, ya que el mismo podría estar lo suficientemente caliente como para provocarle quemaduras.**
16. **No permita que las rebabas, el polvo o la tierra queden atrapados en los terminales, orificios y ranuras del cartucho de batería.** Podría provocar calentamiento, incendio, explosión y mal funcionamiento de la herramienta o del cartucho de batería, lo que resultaría en quemaduras o lesiones personales.
17. **No utilice el cartucho de batería cerca de cables eléctricos de alto voltaje, a menos que la herramienta sea compatible con el uso cercano a estos cables eléctricos de alto voltaje.** Esto podría ocasionar una avería o descompostura de la herramienta o del cartucho de batería.
18. **Mantenga la batería alejada de los niños.**

GUARDE ESTAS INSTRUCCIONES.

⚠PRECAUCIÓN: Utilice únicamente baterías originales de Makita. El uso de baterías no originales de Makita, o de baterías alteradas, puede ocasionar que las baterías exploten causando un incendio, lesiones personales y daños. Asimismo, esto invalidará la garantía de Makita para la herramienta y el cargador Makita.

Consejos para alargar al máximo la vida útil de la batería

1. Cargue el cartucho de batería antes de que se descargue completamente. Pare siempre la operación y cargue el cartucho de batería cuando note menos potencia en la herramienta.
2. No cargue nunca un cartucho de batería que esté completamente cargado. La sobrecarga acortará la vida de servicio de la batería.
3. Cargue el cartucho de batería a una temperatura ambiente de 10 °C - 40 °C (50 °F - 104 °F). Si un cartucho de batería está caliente, déjelo enfriar antes de cargarlo.
4. Cuando no utilice el cartucho de batería, sáquelo de la herramienta o del cargador.
5. Cargue el cartucho de batería si no va a utilizarlo durante un periodo prolongado (más de seis meses).

DESCRIPCIÓN DEL FUNCIONAMIENTO

⚠️ PRECAUCIÓN: Asegúrese siempre de que la herramienta esté apagada y el cartucho de batería haya sido extraído antes de realizar cualquier ajuste o comprobación en la herramienta.

Instalación o extracción del cartucho de batería

⚠️ PRECAUCIÓN: Apague siempre la herramienta antes de colocar o quitar el cartucho de batería.

⚠️ PRECAUCIÓN: Sujete la herramienta y el cartucho de la batería con firmeza al colocar o quitar el cartucho de batería. Si no se sujeta con firmeza la herramienta y el cartucho de batería, puede ocasionar que se resbalen de sus manos causando daños a la herramienta y al cartucho de batería, así como lesiones a la persona.

Para instalar el cartucho de batería, alinee la lengüeta sobre el cartucho de batería con la ranura en la carcasa y deslícela hasta su lugar. Insértelo por completo hasta que se fije en su lugar con un pequeño clic. Si puede ver el indicador rojo como se muestra en la ilustración, este no ha quedado asegurado por completo.

Para quitar el cartucho de batería, deslícelo de la herramienta mientras desliza el botón sobre la parte delantera del cartucho.

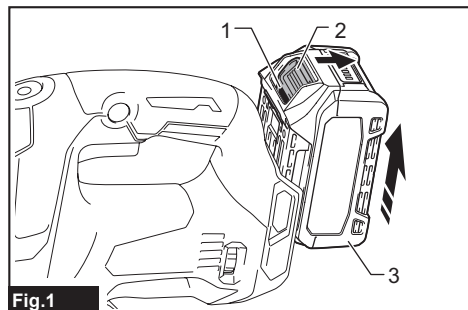


Fig.1

► 1. Indicador rojo 2. Botón 3. Cartucho de batería

⚠️ PRECAUCIÓN: Introduzca siempre completamente el cartucho de batería hasta que el indicador rojo no pueda verse. Si no, podría accidentalmente salirse de la herramienta y caer al suelo causando una lesión a usted o alguien a su alrededor.

⚠️ PRECAUCIÓN: No instale el cartucho de batería a la fuerza. Si el cartucho no se desliza al interior fácilmente, se debe a que no está siendo insertado correctamente.

Indicación de la capacidad restante de la batería

Oprima el botón de verificación en el cartucho de la batería para que indique la capacidad restante de la batería. Las luces indicadoras se iluminarán por algunos segundos.

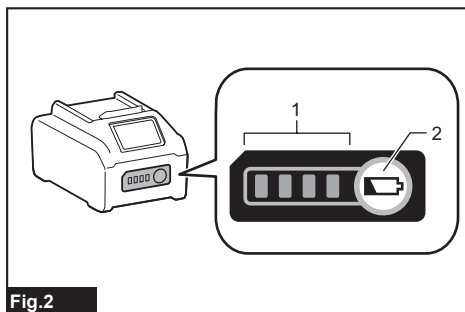


Fig.2

► 1. Luces indicadoras 2. Botón de verificación

Luces indicadoras			Capacidad restante
Iluminadas	Apagadas	Parpadeando	
■ ■ ■ ■			75% a 100%
■ ■ ■ □			50% a 75%
■ ■ □ □			25% a 50%
■ □ □ □			0% a 25%
▬ □ □ □			Cargar la batería.
■ ■ □ □			La batería pudo haber funcionado mal.
□ □ ■ ■			

NOTA: Dependiendo de las condiciones de uso y la temperatura ambiente, la indicación podrá diferir ligeramente de la capacidad real.

NOTA: La primera luz indicadora (extrema izquierda) parpadeará cuando el sistema de protección de batería esté en funcionamiento.

Sistema de protección para la herramienta/batería

La herramienta está equipada con un sistema de protección de la herramienta/batería. Este sistema corta en forma automática el suministro de energía al motor para prolongar la vida útil de la herramienta y la batería. La herramienta se detendrá automáticamente durante la operación si la herramienta o la batería se someten a una de las siguientes condiciones:

Protección contra sobrecarga

Cuando la batería se esté utilizando de una manera que cause que consuma una cantidad de corriente anormalmente alta, la herramienta se detendrá automáticamente sin indicación alguna. En este caso, apague la herramienta y detenga la aplicación que causó que la herramienta se sobrecargara. Luego encienda la herramienta para reiniciarla.

Protección contra sobrecalentamiento

Cuando la herramienta o la batería se sobrecalienten, la herramienta se detendrá automáticamente y la lámpara parpadeará. En este caso, permita que la herramienta y la batería se enfríen antes de volver a encender la herramienta.

Protección en caso de sobredescarga

Cuando la capacidad de la batería no es suficiente, la herramienta se detiene automáticamente. En este caso, retire la batería de la herramienta y cárguela.

Protección contra otras causas

El sistema de protección también está diseñado para otras causas que podrían dañar la herramienta, y permite que la herramienta se detenga automáticamente. Siga todos los pasos a continuación para eliminar las causas cuando la herramienta se haya detenido temporalmente o se haya detenido durante el funcionamiento.

1. Apague la herramienta, y luego enciéndala nuevamente para reiniciarla.
2. Cargue la(s) batería(s) o reemplácela(s) con batería(s) recargada(s).
3. Deje que la herramienta y la(s) batería(s) se enfríen.

Si no hay ninguna mejora al restaurar el sistema de protección, comuníquese con su centro local de servicio Makita.

Selección de la acción de corte

Esta herramienta se puede utilizar con una acción de corte orbital o de línea recta (hacia arriba y hacia abajo). La acción de corte orbital empuja la següeta caladora hacia delante y aumenta la velocidad de corte.

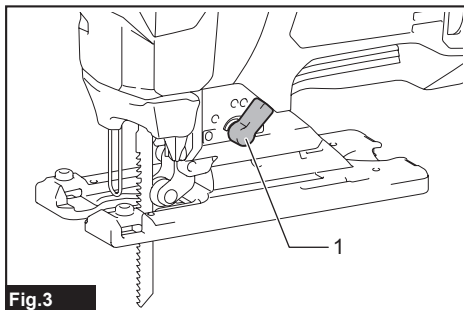


Fig.3

► 1. Palanca de cambio de la acción de corte

Para cambiar la acción de corte, gire la palanca de cambio de la acción de corte hasta la posición de acción de corte deseada. Consulte la tabla para seleccionar la acción de corte apropiada.

Posición	Acción de corte	Aplicaciones
0	Acción de corte de línea recta	Para cortar acero suave, acero inoxidable y plásticos.
		Para cortes limpios en madera y contrachapado.
I	Acción de corte orbital pequeño	Para cortar acero suave, aluminio y madera dura.
II	Acción de corte orbital mediano	Para cortar madera y contrachapado.
		Para cortes rápidos en aluminio y acero suave.
III	Acción de corte orbital grande	Para cortes rápidos en madera y contrachapado.

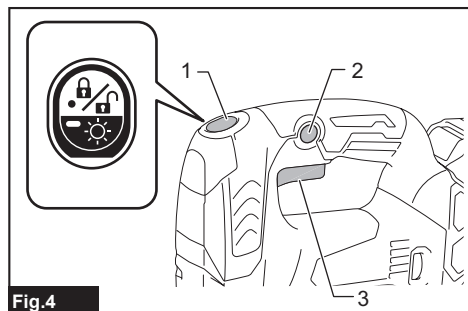
Accionamiento del interruptor

⚠ PRECAUCIÓN: Antes de insertar el cartucho de batería en la herramienta, compruebe siempre y cerciórese de que el gatillo interruptor se acciona debidamente y que vuelve a la posición "OFF" (apagado) cuando lo suelta.

Para encender la herramienta, presione el interruptor de bloqueo. La herramienta se pondrá en el modo en espera. Para arrancar la herramienta, jale el gatillo interruptor en el modo en espera. La velocidad de la herramienta aumenta al incrementar la presión del gatillo interruptor.

Para detener la herramienta, suelte el gatillo interruptor. La herramienta se pondrá en el modo en espera. Para apagar la herramienta, oprima el interruptor de bloqueo en el modo en espera.

Para una operación continua, jale el gatillo interruptor en el modo en espera y luego presione el botón de bloqueo para continuación. Para detener la herramienta, jale el gatillo interruptor por completo y luego suéltelo.



► 1. Interruptor de bloqueo 2. Botón de bloqueo para continuación 3. Gatillo interruptor

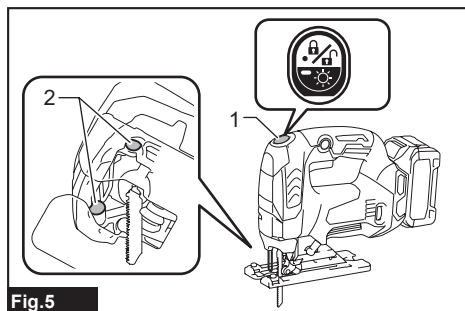
NOTA: Si la herramienta permanece 10 segundos en el modo en espera sin realizar ninguna operación, ésta se apagará automáticamente y la lámpara se desactivará.

NOTA: El interruptor de bloqueo no estará disponible mientras la herramienta esté funcionando.

Iluminación de la luz delantera

⚠ PRECAUCIÓN: No mire a la luz ni vea a la fuente de luz directamente.

Presione el interruptor de bloqueo para encender la luz. Oprima el interruptor de bloqueo nuevamente para apagar la luz.



► 1. Interruptor de bloqueo 2. Luz

El brillo tiene tres niveles. Para disminuir el brillo de la luz, mantenga presionado el interruptor de bloqueo cuando encienda la herramienta. Aproximadamente 1 segundo después de mantener presionado el interruptor de bloqueo, el brillo de la luz comenzará a disminuir. El brillo vuelve al nivel más alto desde el nivel más bajo y repite la disminución. Suelte el interruptor de bloqueo cuando alcance el brillo deseado.

AVISO: Cuando la herramienta se sobrecaliente, la lámpara parpadeará. Permita que la herramienta se enfríe por completo antes de volver a usarla.

NOTA: Mantenga presionado el interruptor de bloqueo continuamente para recorrer los tres niveles de brillo.

NOTA: El brillo de la luz no se puede ajustar mientras la herramienta esté en modo en espera. Para ajustar el brillo, apague la herramienta y vuelva a encenderla.

NOTA: La lámpara se enciende con el mismo nivel de brillo que la última vez que se utilizó la herramienta.

NOTA: Utilice un paño seco para quitar la suciedad de la lente de la lámpara. Tenga cuidado de no rayar la lente de la lámpara ya que la iluminación podría disminuir.

Selector de ajuste de velocidad

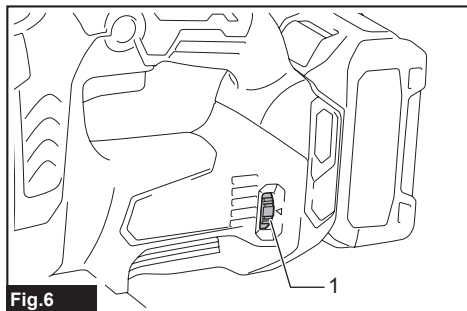


Fig.6

► 1. Selector de ajuste de velocidad

La velocidad de la herramienta se puede ajustar girando el selector de ajuste de velocidad. La velocidad más alta se puede obtener en 6 y la más baja en 1. Consulte la tabla para seleccionar la velocidad adecuada para la pieza de trabajo que va a cortar. Sin embargo, la velocidad adecuada podrá variar en función del tipo o espesor de la pieza de trabajo. En general, las velocidades más altas le permitirán cortar las piezas de trabajo de manera más rápida pero esto acortará la vida útil de la segaeta caladora.

Pieza de trabajo	Número
Madera	4 - 6
Acero suave	3 - 6
Acero inoxidable	3 - 4
Aluminio	3 - 6
Plásticos	1 - 4

AVISO: El selector de ajuste de velocidad solo puede girarse hasta 6 y de regreso a 1. No lo fuerce más allá de 6 o 1 o la función de ajuste de velocidad podría dejar de funcionar.

Función electrónica

Esta herramienta está equipada con funciones electrónicas para facilitar la operación.

Función de arranque suave

La función de arranque suave reduce el impacto de encendido y hace que la herramienta se ponga en marcha suavemente.

Control de velocidad constante

El control de velocidad electrónico consiste en obtener una velocidad constante. Permite lograr un buen acabado debido a que la velocidad de rotación se mantiene constante aun bajo la condición de carga.

Rotación suave sin carga

Cuando el selector de ajuste de velocidad está ajustado en "3" o más, la herramienta automáticamente reduce la velocidad a velocidad sin carga a fin de disminuir la vibración y alinear la segaeta caladora con la línea de corte fácilmente. Una vez que la herramienta comienza a cortar la pieza de trabajo, la velocidad de la herramienta aumenta y alcanza la velocidad preestablecida.

NOTA: Cuando la temperatura sea baja, es posible que esta función no esté disponible. Esta función también podría no estar disponible según el tipo de material.

NOTA: Esta función no funcionará si el gatillo interruptor no se presiona lo suficiente para aumentar la velocidad, incluso si el selector de ajuste de velocidad está configurado en "3" o más.

NOTA: Si la velocidad no disminuye después de cortar la pieza de trabajo, apague la herramienta y vuelva a encenderla.

Deshabilitación o habilitación de la función de rotación suave sin carga

Para deshabilitar o habilitar la función de rotación suave sin carga, siga los pasos a continuación.

1. Asegúrese de que la herramienta esté apagada.
2. Coloque el selector de ajuste de velocidad en "1".
3. Presione el interruptor de bloqueo para encender la herramienta.
4. Gire el selector de ajuste de velocidad al "6", y luego regréselo al "1".

La luz parpadeará dos veces cuando la función de rotación suave sin carga se encuentra deshabilitada o habilitada. Para volver a habilitar o deshabilitar esta función, realice el mismo procedimiento nuevamente.

NOTA: Si la función de rotación suave sin carga está deshabilitada, la luz parpadeará dos veces cuando la herramienta se encienda.

NOTA: También podrá deshabilitar o habilitar la función de rotación suave sin carga cambiando el selector de ajuste de velocidad a "6", a "1" y a "6".

Freno eléctrico

La herramienta está equipada con un freno eléctrico. Si la herramienta falla constantemente en detenerse tras soltar el gatillo interruptor, lleve la herramienta a mantenimiento a un centro de servicio Makita.

MONTAJE

⚠PRECAUCIÓN: Asegúrese siempre de que la herramienta esté apagada y el cartucho de batería haya sido extraído antes de realizar cualquier trabajo en la misma.

Instalación o extracción de la següeta caladora

⚠PRECAUCIÓN: Limpie siempre las astillas y materias extrañas adheridas a la següeta caladora o al portacuchilla. El no hacerlo podría causar que la següeta caladora no quedara bien apretada, ocasionando lesiones personales graves.

⚠PRECAUCIÓN: No toque la següeta caladora ni la pieza de trabajo inmediatamente después de la operación. Podrían estar extremadamente calientes y provocarle quemaduras.

⚠PRECAUCIÓN: Siempre asegure firmemente la següeta caladora. El no apretar bien la següeta caladora podría causar daños a la misma o lesiones personales graves.

⚠PRECAUCIÓN: Cuando extraiga la següeta caladora, tenga cuidado de no lastimar sus dedos con la parte superior de la següeta caladora o las puntas de la pieza de trabajo.

Antes de instalar la següeta caladora, asegúrese de que la palanca de la abrazadera de la següeta caladora esté en la posición liberada.

Para instalar la següeta caladora, inserte la següeta caladora (con los dientes orientados hacia adelante) en el portacuchilla de la sierra caladora hasta que se asegure. La palanca de la abrazadera de la següeta caladora se moverá a la posición fija por sí sola, y la següeta caladora quedará asegurada.

Asegúrese de que el borde posterior de la següeta caladora se ajuste en el rodillo. Jale la següeta caladora ligeramente para asegurar que esta no pueda salirse durante la operación.

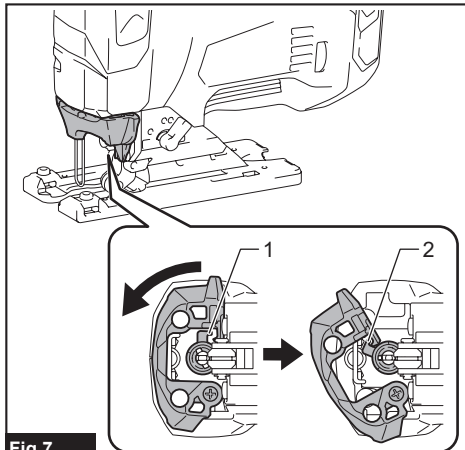


Fig. 7

- ▶ 1. Palanca de la abrazadera de la següeta caladora (posición fija) 2. Palanca de la abrazadera de la següeta caladora (posición liberada)

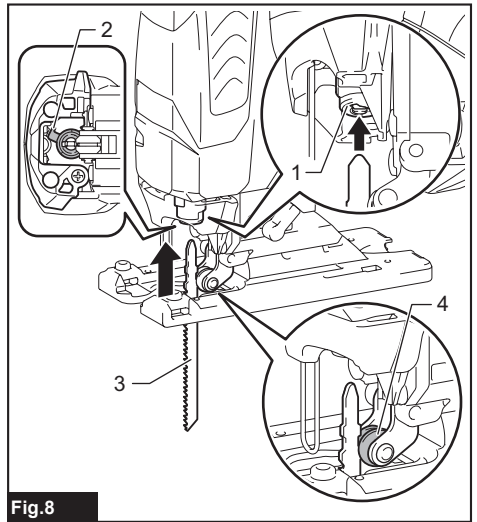


Fig. 8

- ▶ 1. Portacuchilla de la sierra caladora 2. Palanca de la abrazadera de la següeta caladora (posición liberada) 3. Següeta caladora 4. Rodillo

⚠PRECAUCIÓN: No abra el sistema de apertura de la herramienta en exceso, ya que podría dañar la herramienta.

Para extraer la següeta caladora, abra el sistema de apertura de la herramienta hacia adelante hasta el tope. Esto permitirá que la següeta caladora sea liberada.

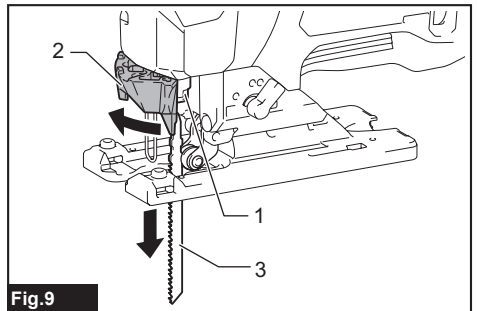


Fig. 9

- ▶ 1. Portacuchilla de la sierra caladora 2. Sistema de apertura de la herramienta 3. Següeta caladora

NOTA: En caso de que sea difícil quitar la següeta caladora:

Gire la palanca de cambio de la acción de corte a la posición "III", y encienda ligeramente la herramienta varias veces para que el portacuchilla de la sierra caladora se mueva hacia abajo.

Asegúrese de que la palanca de la abrazadera de la següeta caladora esté en la posición fija cuando encienda la herramienta.

Extraiga el cartucho de batería de la herramienta antes de instalar o extraer la següeta caladora.

NOTA: Lubrique ocasionalmente el rodillo.

Almacenamiento de la llave hexagonal

Cuando no la utilice, guarde la llave hexagonal tal como se muestra en la figura para evitar que se pierda.

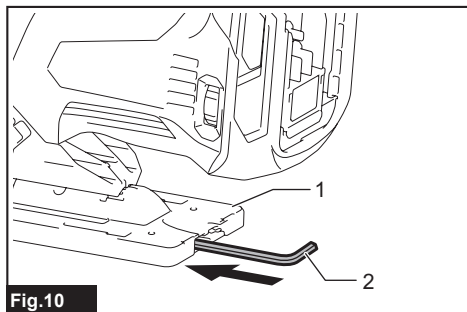


Fig.10

► 1. Base 2. Llave hexagonal

Placa de la cubierta

Utilice la placa de la cubierta cuando corte chapas decorativas, plásticos, etc. Protege las superficies sensibles o delicadas contra daños. Colóquela en la parte inferior de la base de la herramienta.

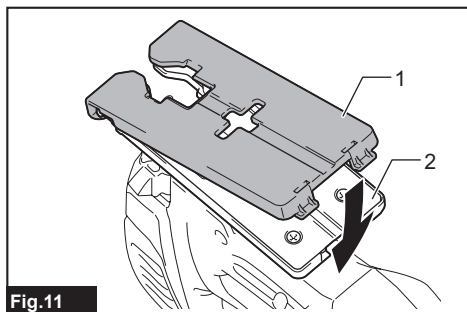


Fig.11

► 1. Placa de la cubierta 2. Base

Dispositivo antiastillas

⚠PRECAUCIÓN: El dispositivo antiastillas no se puede utilizar al realizar cortes en bisel.

Para cortes libres de astillas, se puede utilizar el dispositivo antiastillas. Para instalar el dispositivo antiastillas, mueva la base de la herramienta completamente hacia adelante y colóquelo desde la parte inferior de la base de la herramienta.

Cuando utilice la placa de la cubierta, instale el dispositivo antiastillas en la placa de la cubierta.

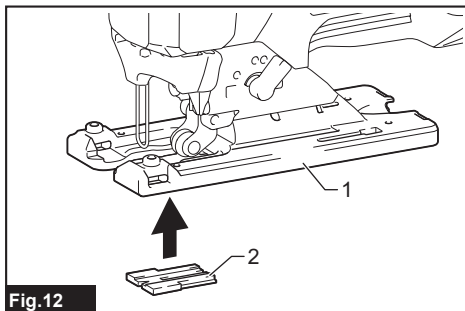


Fig.12

► 1. Base 2. Dispositivo antiastillas

Extracción de polvo

Accesorio opcional

Se recomienda la boquilla para polvo para realizar operaciones de corte limpias.

Para colocar la boquilla para polvo en la herramienta, inserte el gancho de la boquilla para polvo en el orificio de la base.

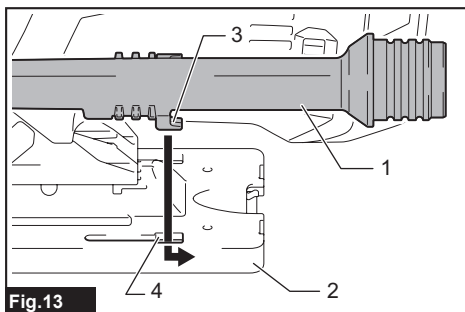


Fig.13

► 1. Boquilla para polvo 2. Base 3. Gancho 4. Orificio

Para asegurar la boquilla para polvo, apriete el tornillo de fijación en la parte delantera de la boquilla para polvo. La boquilla para polvo se puede instalar ya sea del lado izquierdo o derecho de la base.

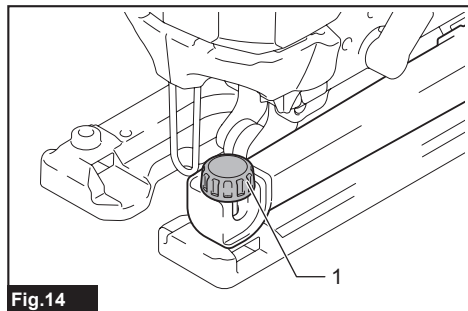


Fig.14

► 1. Tornillo de fijación

Después, conecte una aspiradora Makita a la boquilla para polvo.

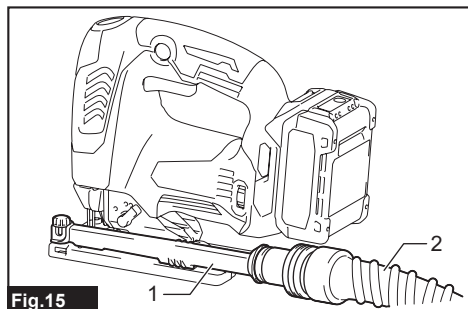


Fig.15

► 1. Boquilla para polvo 2. Manguera para aspiradora

OPERACIÓN

⚠PRECAUCIÓN: Sostenga siempre la base al ras con la pieza de trabajo. El no hacerlo podría causar daños a la següeta caladora ocasionando lesiones graves.

⚠PRECAUCIÓN: Avance la herramienta muy despacio cuando corte curvas o en línea no recta. Si fuerza la herramienta podría sesgarse la superficie de corte y causar daños a la següeta caladora.

Encienda la herramienta sin que la següeta caladora esté haciendo contacto con nada y espere hasta que la següeta caladora alcance su velocidad completa. Luego apoye la base horizontalmente sobre la pieza de trabajo y desplace suavemente la herramienta hacia adelante siguiendo la línea de corte previamente marcada.

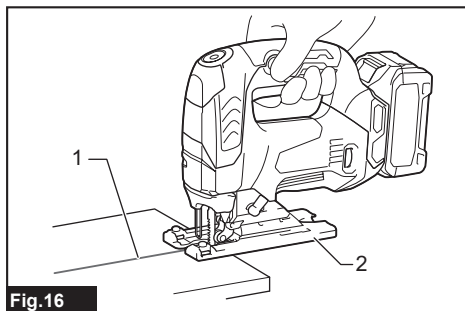


Fig.16

► 1. Línea de corte 2. Base

Corte en bisel

⚠PRECAUCIÓN: Asegúrese siempre de que la herramienta esté apagada y que el cartucho de batería haya sido extraído antes de inclinar la base.

Con la base inclinada, podrá hacer cortes en bisel a cualquier ángulo entre 0° y 45° (a la izquierda o a la derecha).

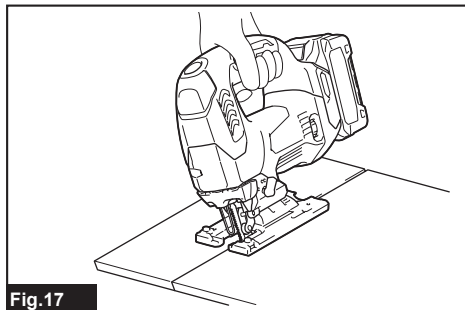


Fig.17

Para inclinar la base, afloje el perno de la parte inferior de la base con la llave hexagonal. Mueva la base de manera que el perno quede situado en el centro de la ranura biselada en la base.

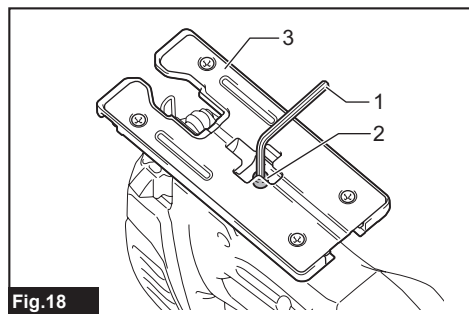


Fig.18

► 1. Llave hexagonal 2. Perno 3. Base

Incline la base hasta obtener el ángulo de bisel deseado. La muesca en V de la carcasa del engranaje indica el ángulo de biselado en graduaciones. Luego, apriete el perno firmemente para asegurar la base.

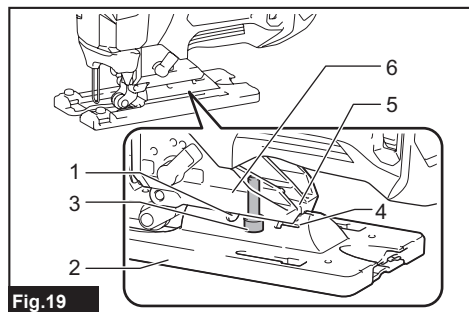


Fig.19

► 1. Ranura biselada 2. Base 3. Perno 4. Graduaciones 5. Muesca en V 6. Carcasa del engranaje

NOTA: Cuando realice cortes en bisel con la extracción de polvo, instale la extracción de polvo en el lado opuesto al bisel. Si la extracción de polvo se instala en el mismo lado para biselar, siempre vuelva a instalar la extracción de polvo en el lado opuesto.

Cortes con tope en la parte delantera

Afloje el perno en la parte inferior de la base con la llave hexagonal y deslice la base completamente hacia atrás. Luego, apriete el perno para asegurar la base.

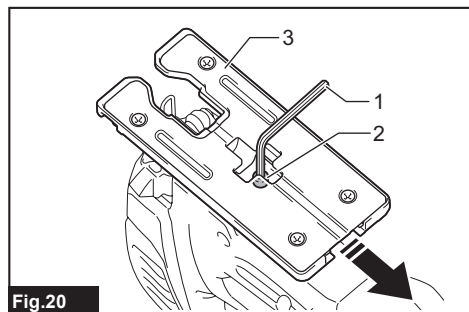


Fig.20

► 1. Llave hexagonal 2. Perno 3. Base

Recortes

Los recortes pueden hacerse con cualquiera de estos dos métodos, "Perforación de un orificio inicial" o "Corte de penetración".

Perforación de un orificio inicial

Para recortes internos sin un corte de entrada desde un borde, perforo previamente un orificio inicial de 12 mm (15/32") o más de diámetro. Inserte la següeta caladora en este orificio para empezar su corte.

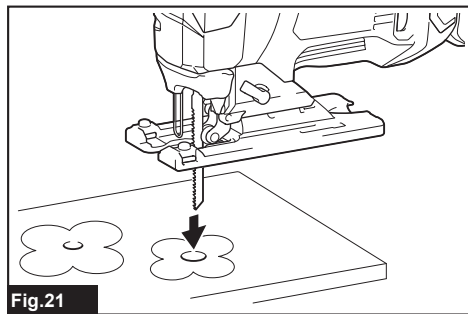


Fig.21

Corte de penetración

No es necesario que perforo un orificio inicial o realice un corte de entrada si hace cuidadosamente lo siguiente.

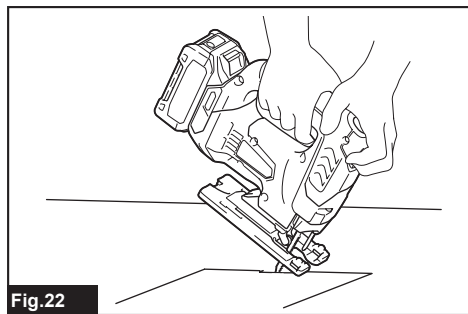


Fig.22

1. Levante la herramienta sobre el borde delantero de la base colocando la punta de la següeta caladora justo por encima de la superficie de la pieza de trabajo.
2. Aplique presión sobre la herramienta de tal forma que el borde delantero de la base no se mueva cuando encienda la herramienta y baje lentamente y con cuidado el extremo trasero de la herramienta.
3. A medida que la següeta caladora vaya perforando la pieza de trabajo, baje despacio la base de la herramienta sobre la superficie de la pieza de trabajo.
4. Complete el corte de manera normal.

Acabado de los bordes

Para recortar los bordes o hacer ajustes de dimensiones, pase ligeramente la següeta caladora a lo largo de los bordes cortados.

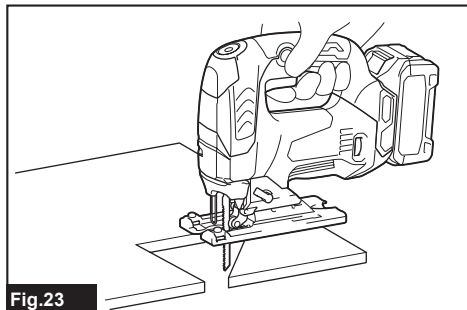


Fig.23

Corte de metales

Utilice siempre un refrigerante adecuado (lubricante para cuchillas) al cortar metales. De lo contrario, la següeta caladora se desgastará más rápidamente. En la parte inferior de la pieza de trabajo se puede aplicar grasa en vez de utilizar un refrigerante.

Tope lateral de corte

Accesorio opcional

⚠PRECAUCIÓN: Asegúrese siempre de que la herramienta esté apagada y que el cartucho de batería haya sido extraído antes de instalar o extraer los accesorios.

Cortes rectos

Cuando haga cortes repetidos de 160 mm (6-5/16") o menos de ancho, utilice el tope lateral de corte para asegurar cortes rápidos, limpios y rectos.

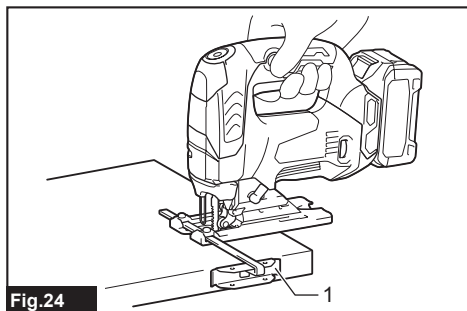


Fig.24

► 1. Tope lateral de corte (regla guía)

Para instalarlo, inserte el tope lateral de corte en el orificio rectangular en la parte lateral de la base con la guía lateral orientada hacia abajo. Deslice el tope lateral de corte a la posición con el ancho de corte deseado y luego apriete el perno para asegurarlo.

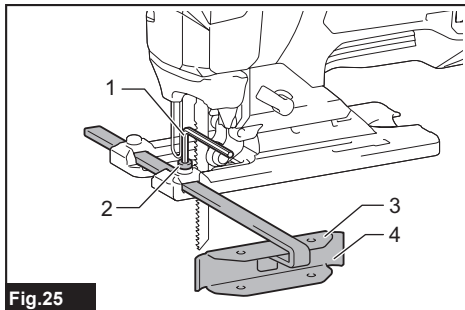


Fig.25

► 1. Llave hexagonal 2. Perno 3. Guía lateral 4. Tope lateral de corte (regla guía)

Cortes circulares

Cuando corte círculos o arcos de 170 mm (6-11/16") o menos de radio, instale el tope lateral de corte de la siguiente forma.

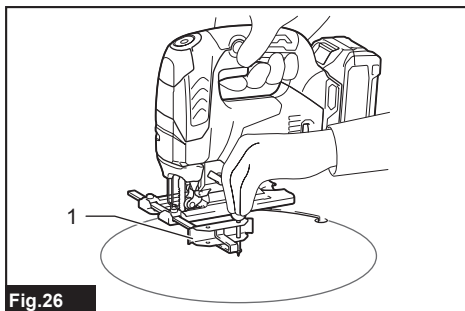


Fig.26

► 1. Tope lateral de corte (regla guía)

⚠PRECAUCIÓN: No toque la punta del pasador de guía circular. La punta afilada del pasador de guía circular puede causar lesiones.

1. Inserte el tope lateral de corte en el orificio rectangular en la parte lateral de la base con la guía lateral orientada hacia arriba.

2. Inserte el pasador de la guía circular a través de cualquiera de los dos orificios en la guía lateral. Atornille la perilla roscada sobre el pasador de la guía circular para asegurar el pasador de la guía circular.

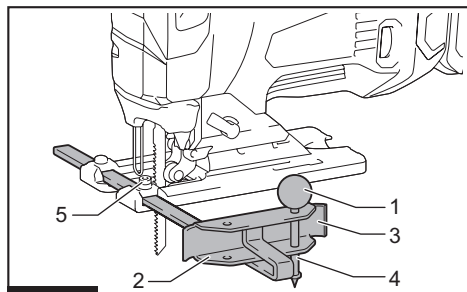


Fig.27

► 1. Perilla roscada 2. Guía lateral 3. Tope lateral de corte (regla guía) 4. Pasador de la guía circular 5. Perno

3. Deslice el tope lateral de corte hasta el radio de corte deseado y apriete el perno para asegurarlo en su lugar.

NOTA: Cuando corte círculos o arcos, utilice siempre seguetas caladoras No. B-17, B-18, B-26 o B-27.

Juego adaptador del carril guía

Accesorio opcional

Cuando haga cortes con una anchura paralela y uniforme o cortes rectos, el uso de un carril guía y un adaptador del carril guía asegurará la realización de cortes rápidos y limpios. Para instalar el adaptador del carril guía, inserte la barra de medición hasta el tope en el orificio rectangular por el lado de la base. Asegure firmemente el perno con la llave hexagonal.

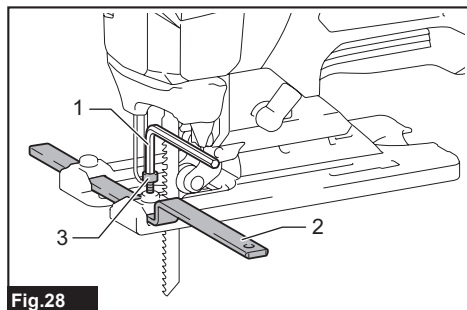


Fig.28

► 1. Llave hexagonal 2. Barra de medición 3. Perno

Inserte la barra de medición en el orificio cuadrado del adaptador del carril guía y asegure firmemente el tornillo. Coloque el adaptador del carril guía en el carril guía.

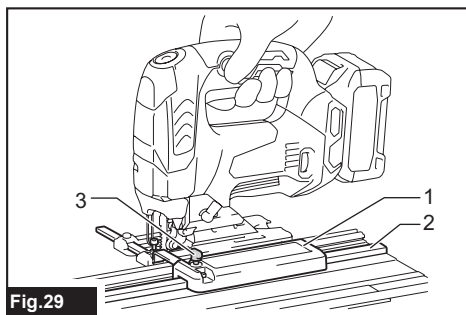


Fig.29

► 1. Adaptador del carril guía 2. Carril guía 3. Tornillo

AVISO: Utilice siempre seguetas caladoras del núm. B-8, B-13, B-16, B-17 o 58 cuando utilice el carril guía y el adaptador del carril guía.

MANTENIMIENTO

PRECAUCIÓN: Asegúrese siempre de que la herramienta esté apagada y el cartucho de batería extraído antes de intentar realizar una inspección o mantenimiento.

AVISO: Nunca use gasolina, bencina, diluyente (tíner), alcohol o sustancias similares. Puede que esto ocasione grietas o descoloramiento.

Para mantener la SEGURIDAD y FIABILIDAD del producto, las reparaciones, y cualquier otra tarea de mantenimiento o ajuste deberán ser realizadas en centros de servicio autorizados o de fábrica Makita, empleando siempre repuestos Makita.

ACCESORIOS OPCIONALES

⚠PRECAUCIÓN: Estos accesorios o aditamentos están recomendados para utilizarse con su herramienta Makita especificada en este manual.

El empleo de cualquier otro accesorio o aditamento puede conllevar el riesgo de lesiones personales.

Utilice los accesorios o aditamentos solamente para su fin establecido.

Si necesita cualquier ayuda para más detalles en relación con estos accesorios, pregunte a su centro de servicio local Makita.

- Seguetas caladoras
- Llave hexagonal 4
- Juego de tope lateral de corte (regla guía)
- Juego adaptador del carril guía
- Juego de raíles guía
- Dispositivo antiastillas
- Placa de la cubierta
- Ensamble de boquilla para polvo
- Batería y cargador originales de Makita

NOTA: Algunos de los artículos en la lista pueden incluirse en el paquete de la herramienta como accesorios estándar. Éstos pueden variar de país a país.

GARANTÍA LIMITADA DE MAKITA

Ésta Garantía no aplica para México

Consulte la hoja de la garantía anexa para ver los términos más vigentes de la garantía aplicable a este producto. En caso de no disponer de esta hoja de garantía anexa, consulte los detalles sobre la garantía descritos en el sitio web de su país respectivo indicado a continuación.

Estados Unidos de América: www.makitatools.com

Canadá: www.makita.ca

Otros países: www.makita.com

< USA only >

WARNING

Some dust created by power sanding, sawing, grinding, drilling, and other construction activities contains chemicals known to the State of California to cause cancer, birth defects or other reproductive harm. Some examples of these chemicals are:

- lead from lead-based paints,
- crystalline silica from bricks and cement and other masonry products, and
- arsenic and chromium from chemically-treated lumber.

Your risk from these exposures varies, depending on how often you do this type of work. To reduce your exposure to these chemicals: work in a well ventilated area, and work with approved safety equipment, such as those dust masks that are specially designed to filter out microscopic particles.

< Sólo en los Estados Unidos >

ADVERTENCIA

Algunos polvos creados por el lijado, aserrado, esmerilado, taladrado y otras actividades de la construcción contienen sustancias químicas reconocidas por el Estado de California como causantes de cáncer, defectos de nacimiento y otros peligros de reproducción. Algunos ejemplos de estos productos químicos son:

- plomo de pinturas a base de plomo,
- sílice cristalino de ladrillos y cemento y otros productos de albañilería, y
- arsénico y cromo de maderas tratadas químicamente.

El riesgo al que se expone varía, dependiendo de la frecuencia con la que realice este tipo de trabajo. Para reducir la exposición a estos productos químicos: trabaje en un área bien ventilada y póngase el equipo de seguridad indicado, tal como las máscaras contra polvo que están especialmente diseñadas para filtrar partículas microscópicas.

Makita Corporation

3-11-8, Sumiyoshi-cho,
Anjo, Aichi 446-8502 Japan

www.makita.com

885A51-933
JV002G-1
EN, FRCA, ESMX
20230823